



# ADVANCE LINE

CABLE MANAGEMENT SYSTEM L.L.C

## CATALOGUE



NFPA 130-2007



CABLE TRAY



CABLE TRUNK



CABLE LADDER



BASKET TRAY



STRUT C-CHANNEL



GI SWITCH BOX



[www.AL-qatar.com](http://www.AL-qatar.com)  
[info@AL-qatar.com](mailto:info@AL-qatar.com)



+974 44419827  
+974 66141726  
+974 55073385



Birkat Al-Awamer, Doha-Qatar  
PO Box: 10367



# INDEX:



01

## CABLE TRAY

- 01-1 : MATERIALS AND FINISHES.
- 01-2 : STRAIGHT CABLE TRAY.
- 01-3 : CABLE TRAY ACCESSORIES, CABLE TRAY 90° BEND.
- 01-4 : CABLE TRAY CROSS OVER, CABLE TRAY EQUAL TEES.
- 01-5 : CABLE TRAY INTERNAL RISER, CABLE TRAY EXTERNAL RISER.
- 01-6 : CABLE TRAY STRAIGHT REDUCER, CABLE TRAY LEFT HAND REDUCER, CABLE TRAY RIGHT HAND REDUCER.
- 01-7 : CABLE TRAY FLAT COVER, CABLE TRAY BEND COVER, CABLE TRAY CROSS OVER COVER, CABLE TRAY EQUAL TEES COVER.
- 01-8 : CABLE TRAY INTERNAL RISER COVER, CABLE TRAY EXTERNAL RISER COVER, CABLE TRAY STRAIGHT REDUCER COVER, CABLE TRAY LEFT HAND REDUCER COVER, CABLE TRAY RIGHT HAND REDUCER COVER.
- 01-9 : CABLE TRAY DIVIDER, STRAIGHT COUPLER, HORIZONTAL ADJUSTABLE COUPLER, VERTICAL ADJUSTABLE COUPLER, UNDER FLOOR STAND, BONDING JUMPER, COVER CLAMP.

02

## CABLE TRUNKING

- 02-1 : FEATURE BENEFITS, SPECIFICATION MATERIAL, IDENTIFICATION AND SELECTION.
- 02-2 : STRAIGHT CABLE TRUNKING, CABLE TRUNKING ACCESSORIES.
- 02-3 : CABLE TRUNKING TOP BEND, CABLE TRUNKING INSIDE BEND, CABLE TRUNKING OUTSIDE BEND.
- 02-4 : CABLE TRUNKING TOP TEE, CABLE TRUNKING TOP CROSS, CABLE TRUNKING REDUCER.
- 02-5 : CABLE TRUNKING REDUCER LEFT, CABLE TRUNKING REDUCER RIGHT AND FITTINGS.
- 02-6 : UNDERFLOOR TRUNKING SYSTEM TECHNICAL DATA SHEET**
- 02-7 : UNDERFLOOR TRUNKING STRAIGHT
- 02-8 : UNDERFLOOR TRUNKING TEE
- 02-9 : UNDERFLOOR TRUNKING ELBOW
- 02-10 : UNDERFLOOR TRUNKING CROSS OVER
- 02-11 : UNDERFLOOR TRUNKING INSIDE RISER AND REDUCERS

03

## CABLE LADDER

- 03-1 : FEATURE BENEFITS, STANDARD FINISHES, SPECIFICATION MATERIAL, IDENTIFICATION AND SELECTION.
- 03-2 : CABLE LADDER STRAIGHT.
- 03-3 : CABLE LADDER ACCESSORIES, CABLE LADDER CROSS.
- 03-4 : CABLE LADDER UNEQUAL TEE, CABLE LADDER EXTERNAL RISER.
- 03-5 : CABLE LADDER INTERNAL RISER, CABLE LADDER 90° ELBOW.
- 03-6 : CABLE LADDER STRAIGHT REDUCER, CABLE LADDER RIGHT REDUCER.
- 03-7 : CABLE LADDER LEFT REDUCER, STANDARD COUPLER, U-COUPLER.
- 03-8 : STANDARD COVER CLIP, STOP END (BLIND END), BONDING JUMPER.
- 03-9 : CABLE LADDER CROSS COVER, CABLE LADDER EQUAL TEE COVER, CABLE LADDER EXTERNAL RISER-DOWN COVER.
- 03-10 : CABLE LADDER INTERNAL RISER-UP COVER, CABLE LADDER 90° ELBOW COVER, CABLE LADDER STRAIGHT REDUCER COVER.
- 03-11 : CABLE LADDER LEFT REDUCER COVER, CABLE LADDER RIGHT REDUCER COVER.



# 04

## BASKET TRAY

- 04-1 : FEATURES, IDENTIFICATION AND SELECTION, APPLICATIONS.
- 04-2 : BASKET TRAY STRAIGHT.
- 04-3 : BASKET TRAY ACCESSORIES, BASKET TRAY CROSS.
- 04-4 : BASKET TRAY UNEQUAL/EQUAL TEE, BASKET TRAY EXTERNAL RISER.
- 04-5 : BASKET TRAY INTERNAL RISER, BASKET TRAY 90° ELBOW.
- 04-6 : BASKET TRAY STRAIGHT REDUCER, BASKET TRAY RIGHT REDUCER.
- 04-7 : BASKET TRAY LEFT REDUCER.
- 04-8 : BASKET TRAY ACCESSORIES, COUPLER NUT & BOLT, COUPLER SPIDER, V-WALL BRACKET, L-WALL BRACKET, CEILING HANGING BAR, CEILING HANGING HOOKS, T-WALL BRACKET KIT, CABLE GUIDE PLATE, COPPER GROUNDING BOLT.

# 05

## STRUT C-CHANNEL

- 05-1 : METAL FRAMING SYSTEMS C-CHANNEL, BRACKET SUPPORT, FIXINGS, FINISHING, IDENTIFICATION AND SELECTION.
- 05-2 : PLAIN C-CHANNEL 41X41, SLOTTED C-CHANNEL 41X41.
- 05-3 : PLAIN C-CHANNEL 41X21, SLOTTED C-CHANNEL 41X21.
- 05-4 : BACK TO BACK CHANNEL 41X41, BACK TO BACK CHANNEL 41X21.
- 05-5 : SUPPORT SYSTEM, CANTILEVER BRACKET FITTINGS.
- 05-6 : FLAT PLATE FITTINGS.
- 05-7 : 90° ANGLE FITTINGS.
- 05-8 : U-SHAPE FITTINGS, POST BASE FITTINGS.
- 05-9 : Z-SHAPE FITTINGS, BEAM CLAMP FITTINGS.
- 05-10 : CONDUIT FITTINGS, CONDUIT HANGER, PVC END CAP FOR C-CHANNEL.
- 05-11 : HARDWARE.
- 05-12 : HARDWARE CONTINUATION.

# 06

## GI SWITCH BOXES

- 06-1 : FEATURES, MATERIALS, FINISHING.
- 06-2 : SWITCH & SOCKET BOXES.
- 06-3 : SQUARE BOXES AND COVERS.



# ADVANCE LINE

CABLE MANAGEMENT SYSTEM L.L.C

**Advance Line** cable trays are designed as a complete System with simple accessories. Integral connectors are included for Bends tees etc. for all cable tray range.

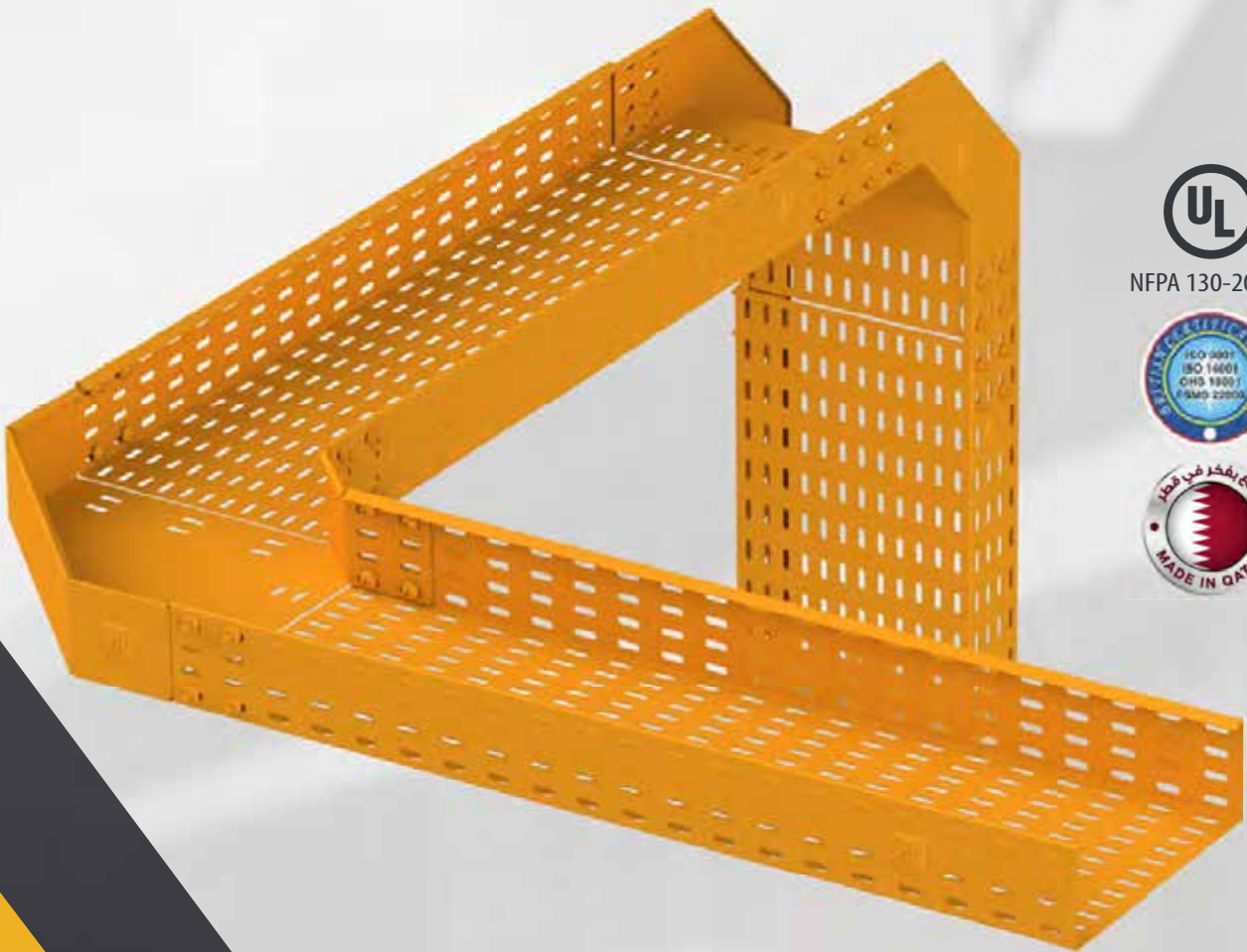
When installing **Advance Line** cable trays care should be Taken to ensure accessories (e.g. bends, tees, crossovers etc.)

Have adequate support with additional supports for larger components.

Light duty cable tray straights have one end swagged for easy connection to the next tray.

When light duty straight trays are cut to smaller lengths on site

Connection to the next tray requires a fish plate.



NFPA 130-2007



01

## CABLE TRAY



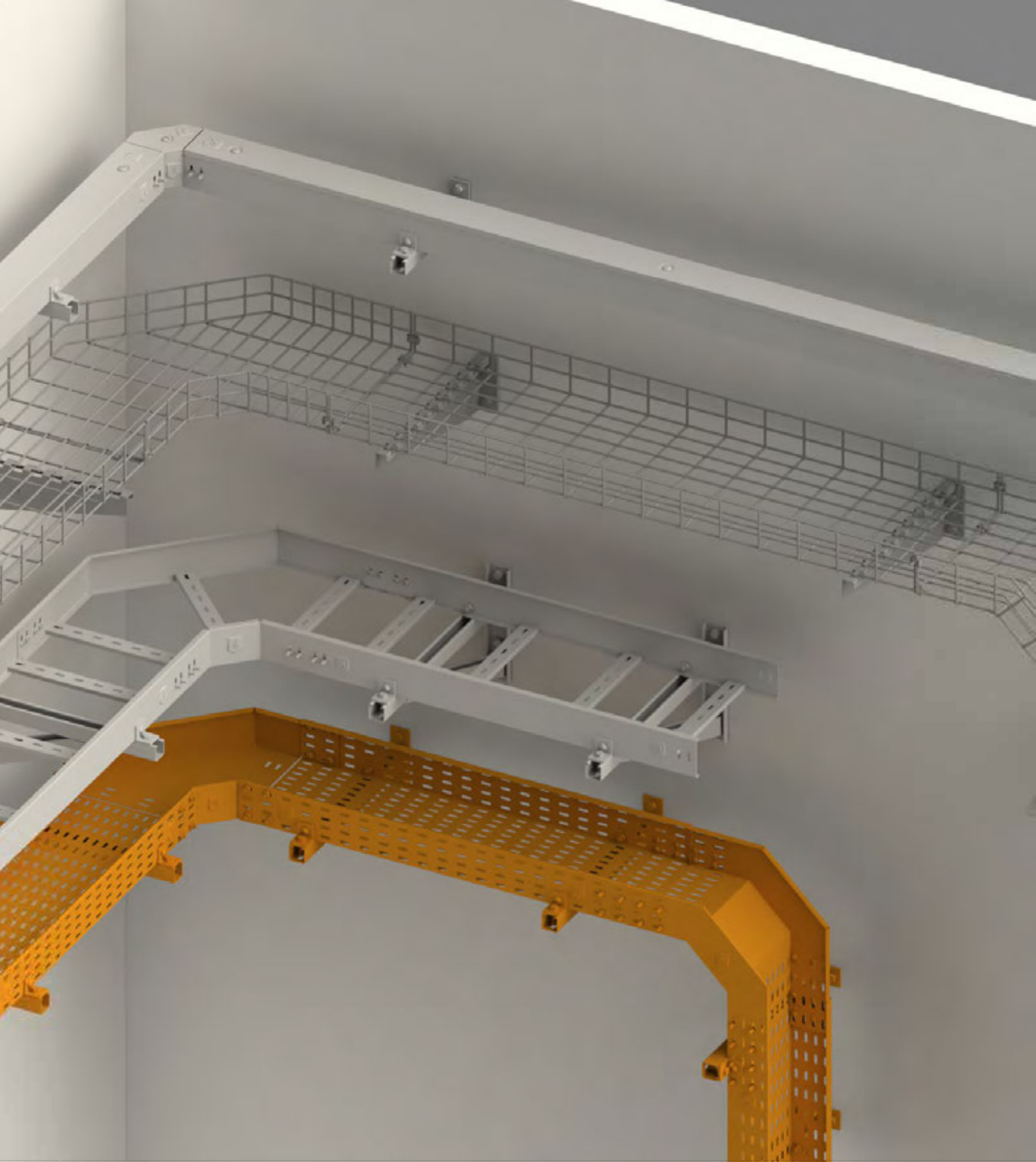
[www.AL-qatar.com](http://www.AL-qatar.com)  
[info@AL-qatar.com](mailto:info@AL-qatar.com)



+974 44419827  
+974 66141726  
+974 55073385



Birkat Al-Awamer, Doha-Qatar  
PO Box: 10367



**ADVANCE LINE**  
CABLE MANAGEMENT SYSTEM L.L.C



## Materials and finishes:

Materials and finishes available are mild steel-galvanised as standard, mild steel hot dip galvanised after manufacture and stainless steel grade 316L to order.

## Mild steel pre galvanised:

Manufactured from steel complying with BS EN 10327:2004.

## Mild steel hot dip galvanised:

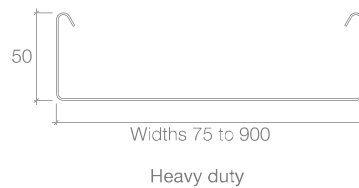
Manufactured from steel complying with BS EN 10130:2006 and hot dip Galvanised after manufacture to BS EN 1461:1999

## Stainless steel:

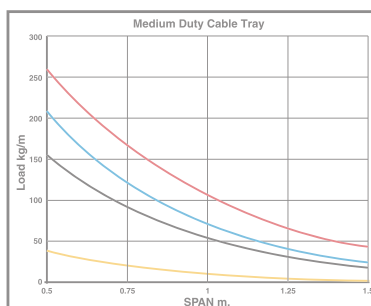
Manufactured from stainless steel grade 316L complying with BS EN 2:2005-10088.

## Aluminium Alloy:

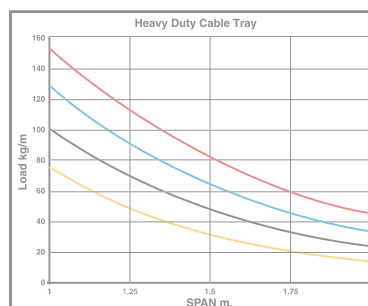
Advance Line Aluminium Alloy Industrial Cable Tray is designed to satisfy the demand for high performance in all Industrial Markets.



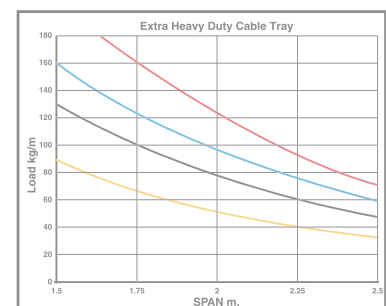
## Test Materials:



— 750/900 wide  
— 620 wide  
— 300/450 wide  
— 50/225 wide



— 750/900 wide  
— 300/600 wide  
— 150/225 wide  
— 50/100 wide

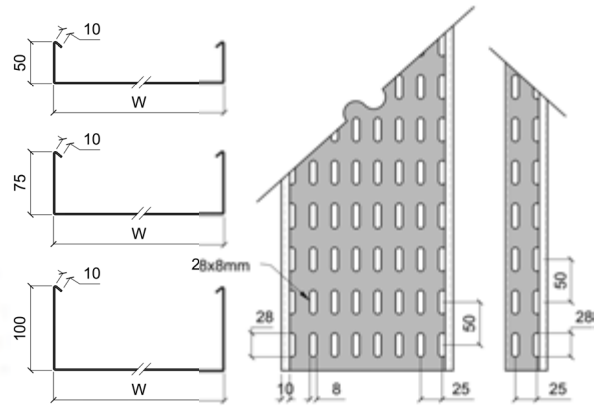
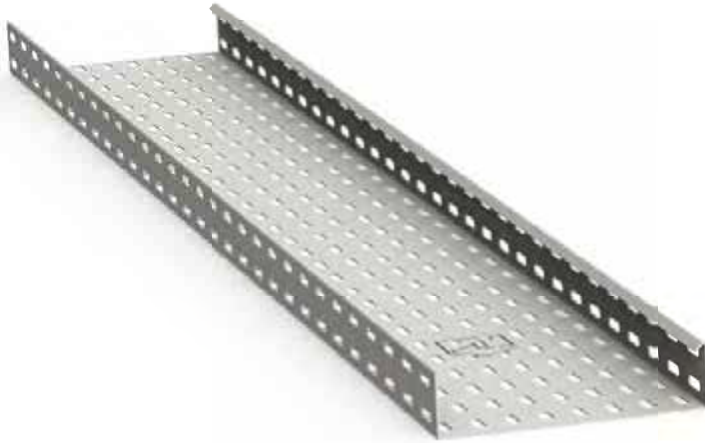


— 750/900 wide  
— 450/600 wide  
— 225/300 wide  
— 100/150 wide



# ADVANCE LINE CABLE TRAY

## STRAIGHT CABLE TRAY

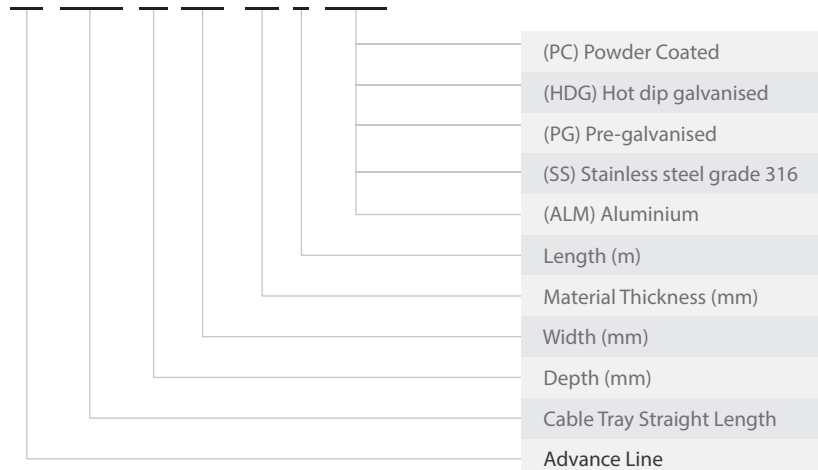


Width X Depth (mm)	Part No.	Thickness	Description
75X50	ALCT5L050 075-1.2HD	1.2	Straight tray,50 deep, 75 wide,HDG, 3m long
100X50	ALCT5L050 100-1.2HD	1.2	Straight tray,50 deep, 100 wide,HDG, 3m long
150X50	ALCT5L050 150-1.2HD	1.2	Straight tray,50 deep, 150 wide,HDG, 3m long
200X50	ALCT5L050 200-1.5HD	1.2	Straight tray,50 deep, 200 wide,HDG, 3m long
250X50	ALCT5L050 250-1.5HD	1.2	Straight tray,50 deep, 250 wide,HDG, 3m long
300X50	ALCT5L050 300-1.5HD	1.2	Straight tray,50 deep, 300 wide,HDG, 3m long
400X50	ALCT5L050 400-1.5HD	1.2	Straight tray,50 deep, 400 wide,HDG, 3m long
500X50	ALCT5L050 500-2HD	1.2	Straight tray,50 deep, 500 wide,HDG, 3m long
600X50	ALCT5L050 600-2HD	1.2	Straight tray,50 deep, 600 wide,HDG, 3m long
700X50	ALCT5L050 700-2HD	1.2	Straight tray,50 deep, 700 wide,HDG, 3m long
800X50	ALCT5L050 800-2HD	1.2	Straight tray,50 deep, 800 wide,HDG, 3m long
900X50	ALCT5L050 900-2HD	1.2	Straight tray,50 deep, 900 wide,HDG, 3m long
600X75	ALCT5L075 600-2HD	1.2	Straight tray,75 deep, 600 wide,HDG, 3m long
600X100	ALCT5L100 600-2HD	1.2	Straight tray,100 deep, 600 wide,HDG, 3m long
900X100	ALCT5L100 900-2HD	1.2	Straight tray,100 deep, 900 wide,HDG, 3m long
75X50	ALCT5L050 075-1.2GI	1.2	Straight tray,50 deep, 75 wide,GI, 3m long
100X50	ALCT5L050 100-1.2GI	1.2	Straight tray,50 deep, 100 wide,GI, 3m long
200X50	ALCT5L050 200-1.2GI	1.2	Straight tray,50 deep, 200 wide,GI, 3m long
300X50	ALCT5L050 300-1.5GI	1.2	Straight tray,50 deep, 300 wide,GI, 3m long

### Straight Cable Tray Ordering Way :

#### Code Detail

AL CTSL 50 100 1.2 3 HDG

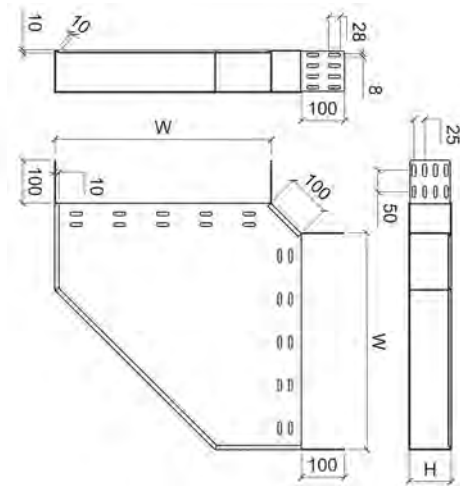


NFPA 130-2007





## CABLE TRAY ACCESSORIES



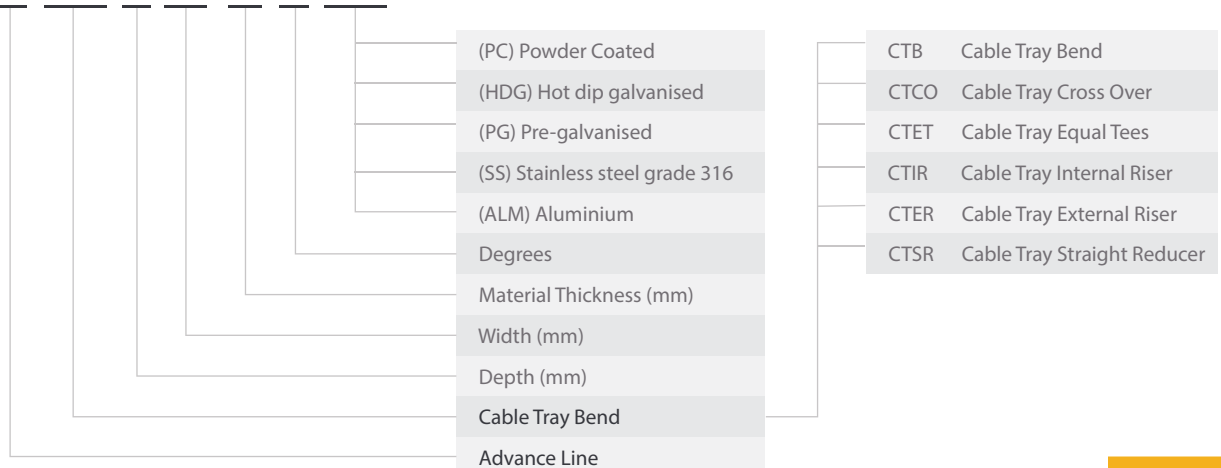
### CTB - CABLE TRAY 90° BEND

WIDTH X DEPTH (mm)	PART NO.	THICK-NESS	DESCRIPTION
75X50	ALCTB050 075-1.2HDG	1.2	cable tray bend,50 deep, 75 wide,HDG, 90degree
100X50	ALCTB050 100-1.2HDG	1.2	cable tray bend,50 deep, 100 wide,HDG, 90degree
150X50	ALCTB050 150-1.2HDG	1.2	cable tray bend,50 deep, 150 wide,HDG, 90degree
200X50	ALCTB050 200-1.SHDG	1.5	cable tray bend,50 deep, 200 wide,HDG, 90degree
300X50	ALCTB050 300-1.SHDG	1.5	cable tray bend,50 deep, 300 wide,HDG, 90degree
400X50	ALCTB050 400-2HDG	2	cable tray bend,50 deep, 400 wide,HDG, 90degree
500X50	ALCTB050 500-2HDG	2	cable tray bend,50 deep, 500 wide,HDG, 90degree
600X50	ALCTB050 600-2HDG	2	cable tray bend,50 deep, 600 wide,HDG, 90degree
800X50	ALCTB050 800-2HDG	2	cable tray bend,50 deep, 800 wide,HDG, 90degree
200X75	ALCTB075 200-1.SGI	1.5	cable tray bend,70 deep, 200 wide,GI, 90degree
300X100	ALCTBI 00 300-2GI	2	cable tray bend,70 deep, 300 wide,GI, 90degree
600X100	ALCTBI00 600-2GI	2	cable tray bend,70 deep, 600 wide,GI, 90degree

### CABLE TRAY ACCESSORIES ORDERING WAY :

#### Code Detail

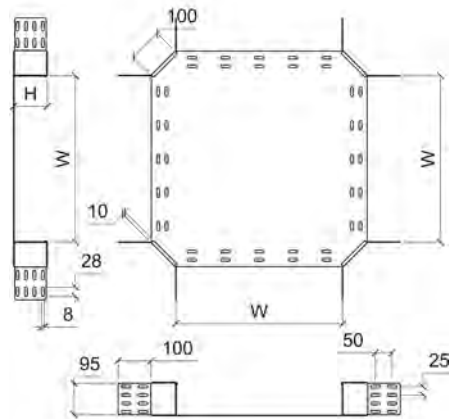
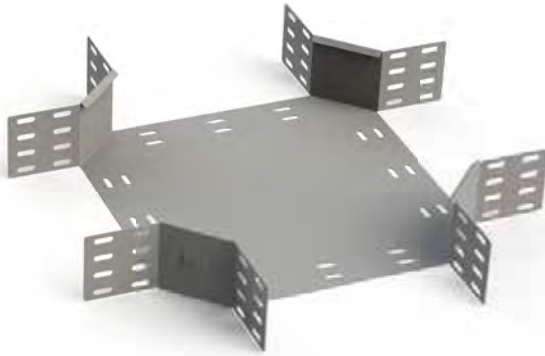
AL CTB 50 300 1.5 90 HDG







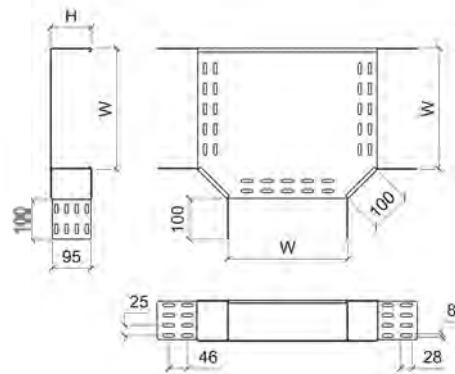
# ADVANCE LINE CABLE TRAY



## CTCO - CABLE TRAY CROSS OVER

WIDTH X DEPTH (mm)	PART NO.	THICK-NESS	DESCRIPTION
75X50	ALCTC050 075-1.2HDG	1.2	Cable tray cross,50 deep, 75 wide,-1.2 HDG
300X50	ALCTC050 300-1.2HDG	1.5	Cable tray cross,50 deep, 300 wide,-1.5 HDG
400X75	ALCTC075 400-2HDG	2	Cable tray cross,75 deep, 400 wide,-2 HDG
600X75	ALCTC075 600-1.5HDG	2	Cable tray cross,75 deep, 600 wide,-2 HDG
600X100	ALCTCI 00 600-2HDG	2	Cable tray cross,100 deep, 600 wide,-2 HDG
800X100	ALCTCI 00 800-2HDG	2	Cable tray cross,100 deep, 800 wide,-2 HDG

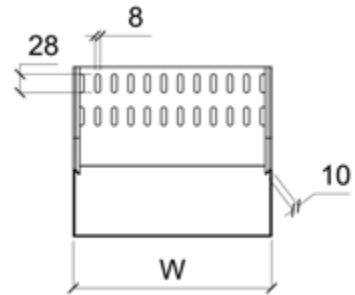
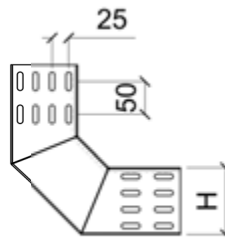
UNEQUAL CROSS OVER AVAILABLE UPON REQUEST



## CTET - CABLE TRAY EQUAL TEES

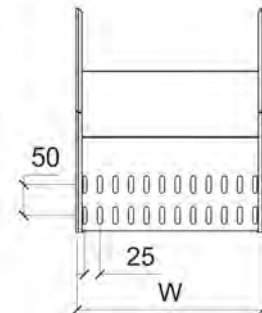
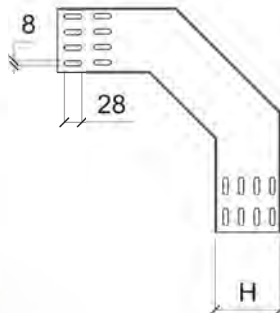
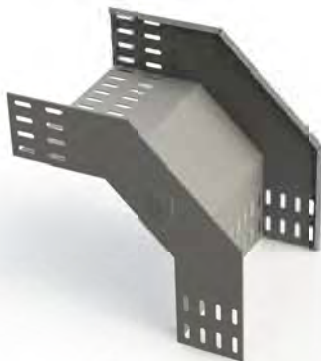
WIDTH X DEPTH (mm)	PART NO.	THICK-NESS	DESCRIPTION
100X50	ALCTET050 100-1.2HDG	1.2	Cable tray tees,50 deep, 100 wide,-1.2 HDG
150X50	ALCTET050 150-1.2HDG	1.2	Cable tray tees,50 deep, 150 wide,-1.2 HDG
200X50	ALCTET050 200-1.2HDG	1.2	Cable tray tees,50 deep, 200 wide,-1.2 HDG
300X50	ALCTET050 300-1.5HDG	1.5	Cable tray tees,50 deep, 300 wide,-1.5 HDG
400X50	ALCTET050 400-1.5HDG	1.5	Cable tray tees,50 deep, 400 wide,-1.5 HDG
500X50	ALCTET050 500-2HDG	2	Cable tray tees,50 deep, 500 wide,-2 HDG
600x50	ALCTET050 600-2HDG	2	Cable tray tees,50 deep, 600 wide,-2 HDG
800x50	ALCTET050 800-2HDG	2	Cable tray tees,50 deep, 800 wide,-2 HDG
300x75	ALCTET075 300-1.SGI	1.5	Cable tray tees,75 deep, 300 wide,-1.SGI
600X100	ALCTETI 00 600-1.SGI	2	Cable tray tees,100 deep, 600 wide,-2GI

UNEQUAL TEES AVAILABLE UPON REQUEST



## CTIR - CABLE TRAY INTERNAL RISER

WIDTH X DEPTH (mm)	PART NO.	THICK-NESS	DESCRIPTION
100X50	ALCTIR050 100-1.SHDG	1.5	cable tray internal riser,50 deep, 100 wide,-1.5 HDG
200X50	ALCTIR050 200-1.SHDG	1.5	cable tray internal riser,50 deep, 200 wide,-1.5 HDG
300X50	ALCTIR050 300-1.SHDG	1.5	cable tray internal riser,50 deep, 300 wide,-1.5 HDG
400X50	ALCTIR050 400-2.HDG	2	cable tray internal riser,50 deep, 400 wide,-2 HDG
500X50	ALCTIR050 500-2.HDG	2	cable tray internal riser,50 deep, 500 wide,-2 HDG
600x50	ALCTIR050 600-2.HDG	2	cable tray internal riser,50 deep, 600 wide,-2 HDG

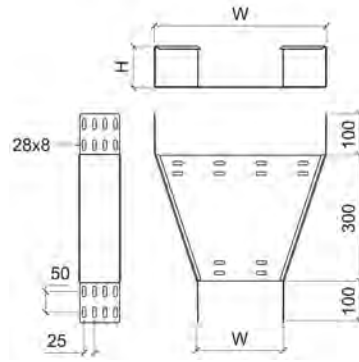


## CTER - CABLE TRAY EXTERNAL RISER

WIDTH X DEPTH (mm)	PART NO.	THICK-NESS	DESCRIPTION
100X50	ALCTER050 100-1.SHDG	1.5	cable tray external riser,50 deep, 100 wide,-1.5 HDG
200X50	ALCTER050 200-1.SHDG	1.5	cable tray external riser,50 deep, 200 wide,-1.5 HDG
300X50	ALCTER050 300-1.SHDG	1.5	cable tray external riser,50 deep, 300 wide,-1.5 HDG
400X50	ALCTER050 400-1.SHDG	2	cable tray external riser,50 deep, 400 wide,-2 HDG
500X50	ALCTER050 500-2.HDG	2	cable tray external riser,50 deep, 500 wide,-2 HDG
600x50	ALCTER050 600-2.HDG	2	cable tray external riser,50 deep, 600 wide,-2 HDG

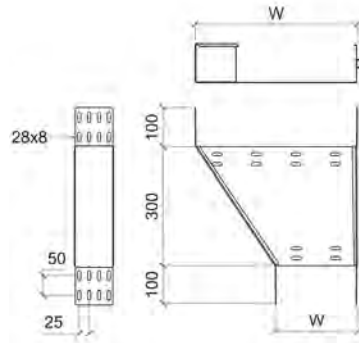


# ADVANCE LINE CABLE TRAY



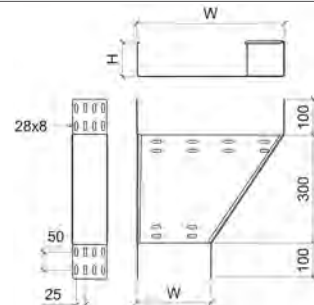
## CTSR - CABLE TRAY STRAIGHT REDUCER

WIDTH X DEPTH (mm)	PART NO.	THICK-NESS	DESCRIPTION
100-200XS0	ALCTSR050 (100-200)1.SHDG	1.5	Cable tray straight reducer,50 deep, w1 100 w2 200,1,5 HDG
100-300XS0	ALCTSR050 (100-300)1.SHDG	1.5	Cable tray straight reducer,50 deep, w1 100 w2 300,1,5 HDG
300-400XS0	ALCTSR050 (300-400)2HDG	2	Cable tray straight reducer,50 deep, w1 300 w2 400 ,2 HDG
300-600XS0	ALCTSR050 (300-600)2HDG	2	Cable tray straight reducer,50 deep, w1 300 w2 600 ,2 HDG
400-600XS0	ALCTSR100 (400-600)2HDG	2	Cable tray straight reducer,100 deep, w1 400 w2 600 ,2HDG
600-800xS0	ALCTSR100 (600-800)2HDG	2	Cable tray straight reducer,100 deep, w1 600 w2 800 ,2 HDG



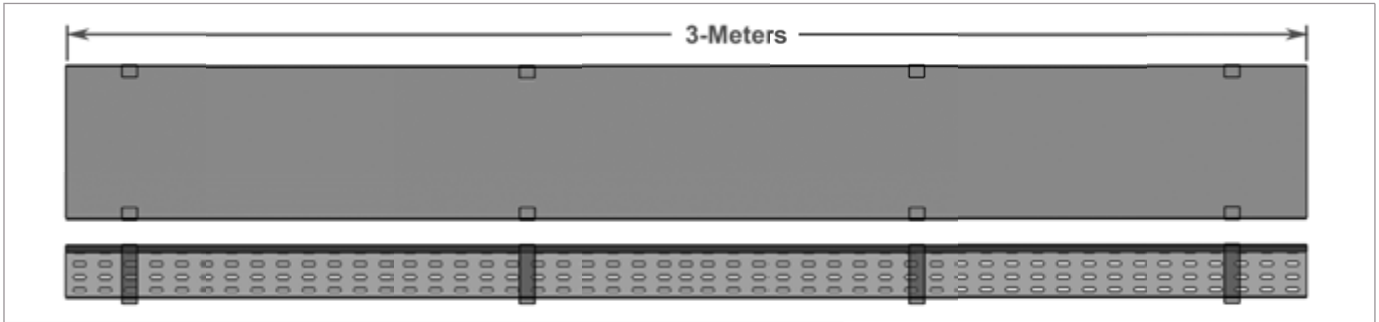
## CTLHR - CABLE TRAY LEFT HAND REDUCER

WIDTH X DEPTH (mm)	PART NO.	THICK-NESS	DESCRIPTION
100-200XS0	ALCTLHR050 (100-200)1.SHDG	1.5	Cable tray left reducer,50 deep, w1 100 w2 200,1,5 HDG
100-300XS0	ALCTLHR050 (100-300)1.SHDG	1.5	Cable tray left reducer,50 deep, w1 100 w2 300,1,5 HDG
300-400XS0	ALCTLHR050 (300-400)2HDG	2	Cable tray left reducer,50 deep, w1 300 w2 400 ,2 HDG
300-600XS0	ALCTLHR050 (300-600)2HDG	2	Cable tray left reducer,50 deep, w1 300 w2 600 ,2 HDG
300-600XS0	ALCTLHR100 (400-600)2HDG	2	Cable tray left reducer,100 deep, w1 400 w2 600 ,2HDG
600-500xS0	ALCTLHR100 (600-800)2HDG	2	Cable tray left reducer,100 deep, w1 600 w2 800 ,2 HDG



## CTRHR - CABLE TRAY RIGHT HAND REDUCER

WIDTH X DEPTH (mm)	PART NO.	THICK-NESS	DESCRIPTION
100-200XS0	ALCTRHR050 (100-200)1.SHDG	1.5	Cable tray right reducer,50 deep, w1 100 w2 200,1,5 HDG
100-300XS0	ALCTRHR050 (100-300)1.SHDG	1.5	Cable tray right reducer,50 deep, w1 100 w2 300,1,5 HDG
300-400XS0	ALCTRHR050 (300-400)2HDG	2	Cable tray right reducer,50 deep, w1 300 w2 400 ,2 HDG
300-600XS0	ALCTRHR050 (300-600)2HDG	2	Cable tray right reducer,50 deep, w1 300 w2 600 ,2 HDG
300-600XS0	ALCTRHR100 (400-600)2HDG	2	Cable tray right reducer,100 deep, w1 400 w2 600 ,2HDG
600-500xS0	ALCTRHR100 (600-800)2HDG	2	Cable tray right reducer,100 deep, w1 600 w2 800 ,2 HDG



## CTFC - CABLE TRAY FLAT COVER

PART NO.	DESCRIPTION
ALCTFC075-1.2HDG	Cable tray flat cover, 75mm width, 1.2HDG
ALCTFCI 00-1.2HDG	Cable tray flat cover, 100mm width, 1.2HDG
ALCTFCI 50-1.2HDG	Cable tray flat cover, 150mm width, 1.2HDG
ALCTFC200-1.5HDG	Cable tray flat cover, 200mm width, 1.5HDG
ALCTFC300-1.5HDG	Cable tray flat cover, 300mm width, 1.5HDG
ALCTFC600-2HDG	Cable tray flat cover, 600mm width, 2HDG

### MATERIAL:

HDG - Hot Dip Galvanised

### AVAILABLE FINISHES:

PG - Pre Galvanised  
AL - Aluminium  
SS - Stainless Steel Grade 316  
PC - Powder Coated

### THICKNESS:

1.0mm, 1.2mm, 1.5mm, 2.0mm



## CTBC - CABLE TRAY BEND COVER

PART NO.	DESCRIPTION
ALCTBC075-1.2HDG	Cable tray bend cover, 75mm width, 1.2HDG
ALCTBCI 00-1.2HDG	Cable tray bend cover, 100mm width, 1.2HDG
ALCTBCI 50-1.2HDG	Cable tray bend cover, 150mm width, 1.2HDG
ALCTBC200-1.5HDG	Cable tray bend cover, 200mm width, 1.5HDG
ALCTBC300-1.5HDG	Cable tray bend cover, 300mm width, 1.5HDG
ALCTBC600-2HDG	Cable tray bend cover, 600mm width, 2HDG



## CTCOC - CABLE TRAY CROSS OVER COVER

PART NO.	DESCRIPTION
ALCTCOC075-1.2HDG	Cable tray cross over cover, 75mm width, 1.2HDG
ALCTCOCI 00-1.2HDG	Cable tray cross over cover, 100mm width, 1.2HDG
ALCTCOCI 50-1.2HDG	Cable tray cross over cover, 150mm width, 1.2HDG
ALCTCOC200-1.5HDG	Cable tray cross over cover, 200mm width, 1.5HDG
ALCTCOC300-1.5HDG	Cable tray cross over cover, 300mm width, 1.5HDG
ALCTCOC600-2HDG	Cable tray cross over cover, 600mm width, 2HDG



## CTETC - CABLE TRAY EQUAL TEES COVER

PART NO.	DESCRIPTION
ALCTETC075-1.2HDG	Cable tray equal tee cover, 75mm width, 1.2HDG
ALCTETCI 00-1.2HDG	Cable tray equal tee cover, 100mm width, 1.2HDG
ALCTETCI 50-1.2HDG	Cable tray equal tee cover, 150mm width, 1.2HDG
ALCTETC200-1.5HDG	Cable tray equal tee cover, 200mm width, 1.5HDG
ALCTETC300-1.5HDG	Cable tray equal tee cover, 200mm width, 1.5HDG
ALCTETC600-2HDG	Cable tray equal tee cover, 600mm width, 2HDG





# ADVANCE LINE CABLE TRAY

## CTIRC - CABLE TRAY INTERNAL RISER COVER

PART NO.	DESCRIPTION
ALCTIRC075-1.2HDG	Cable tray internal riser cover, 75mm width, 1.2HDG
ALCTIRC100-1.2HDG	Cable tray internal riser cover, 100mm width, 1.2HDG
ALCTIRC150-1.2HDG	Cable tray internal riser cover, 150mm width, 1.2HDG
ALCTIRC200-1.5HDG	Cable tray internal riser cover, 200mm width, 1.5HDG
ALCTIRC300-1.5HDG	Cable tray internal riser cover, 300mm width, 1.5HDG
ALCTIRC600-2HDG	Cable tray internal riser cover, 600mm width, 2HDG



## CTERC - CABLE TRAY EXTERNAL RISER COVER

PART NO.	DESCRIPTION
ALCTERC075-1.2HDG	Cable tray external riser cover, 75mm width, 1.2HDG
ALCTERC100-1.2HDG	Cable tray external riser cover, 100mm width, 1.2HDG
ALCTERCI 50-1.2HDG	Cable tray external riser cover, 150mm width, 1.2HDG
ALCTERC200-1.5HDG	Cable tray external riser cover, 200mm width, 1.5HDG
ALCTERC300-1.5HDG	Cable tray external riser cover, 300mm width, 1.5HDG
ALCTERC600-2HDG	Cable tray external riser cover, 600mm width, 2HDG



## CTSRC - CABLE TRAY STRAIGHT REDUCER COVER

PART NO.	DESCRIPTION
ALCTSRC100-200-1.2HDG	Cable tray straight reducer cover, w1 100 w2 200mm
ALCTSRC200-300-1.2HDG	Cable tray straight reducer cover, w1 200 w2 300mm
ALCTSRC300-600-1.5HDG	Cable tray straight reducer cover, w1 300 w2 600mm
ALCTSRC300-800-2HDG	Cable tray straight reducer cover, w1 300 w2 800mm
ALCTSRC400-600-2HDG	Cable tray straight reducer cover, w1 400 w2 600mm



## CTLHRC - CABLE TRAY LEFT HAND REDUCER COVER

PART NO.	DESCRIPTION
ALCTLHRC100-200-1.2HDG	Cable tray left hand reducer cover, w1 100 w2 200mm
ALCTLHRC200-300-1.2HDG	Cable tray left hand reducer cover, w1 200 w2 300mm
ALCTLHRC300-600-1.5HDG	Cable tray left hand reducer cover, w1 300 w2 600mm
ALCTLHRC300-800-2HDG	Cable tray left hand reducer cover, w1 300 w2 800mm
ALCTLHRC400-600-2HDG	Cable tray left hand reducer cover, w1 400 w2 600mm



## CTRHRC - CABLE TRAY RIGHT HAND REDUCER COVER

PART NO.	DESCRIPTION
ALCTRHRC100-200-1.2HDG	Cable tray right hand reducer cover, w1 100 w2 200mm
ALCTRHRC200-300-1.2HDG	Cable tray right hand reducer cover, w1 200 w2 300mm
ALCTRHRC300-600-1.5HDG	Cable tray right hand reducer cover, w1 300 w2 600mm
ALCTRHRC300-800-2HDG	Cable tray right hand reducer cover, w1 300 w2 800mm
ALCTRHRC400-600-2HDG	Cable tray right hand reducer cover, w1 400 w2 600mm



**MATERIAL:**  
HDG - Hot Dip Galvanised

**AVAILABLE FINISHES:**  
PG - Pre Galvanised  
AL - Aluminium  
SS - Stainless Steel Grade 316  
PC - Powder Coated

**THICKNESS:**  
1.0mm, 1.2mm, 1.5mm, 2.0mm



## CABLE TRAY DIVIDER

PART NO.	DESCRIPTION
ALCTD1012HDG	Cable tray divider, 12mm deep, HDG, 3 meter long
ALCTD1018HDG	Cable tray divider, 18mm deep, HDG, 3 meter long
ALCTD1025HDG	Cable tray divider, 25mm deep, HDG, 3 meter long
ALCTD1050HDG	Cable tray divider, 50mm deep, HDG, 3 meter long

## STRAIGHT COUPLER

PART NO.	DESCRIPTION
ALSCPSOHDE	Cable tray straight coupler, 50mm deep, HDG,
ALSCP75HDE	Cable tray straight coupler, 75mm deep, HDG
ALSCP100HDE	Cable tray straight coupler, 100mm deep, HDG,
ALSCPSOPG	Cable tray straight coupler, 50mm deep, PG

## HORIZONTAL ADJUSTABLE COUPLER

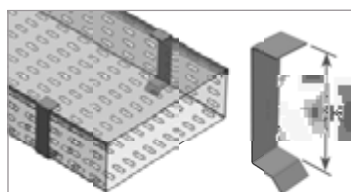
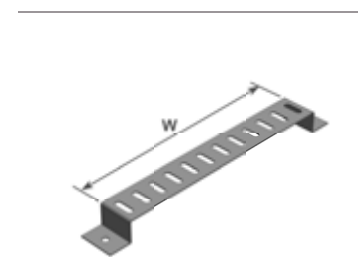
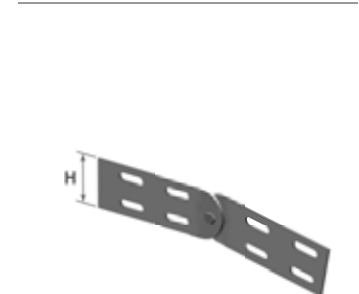
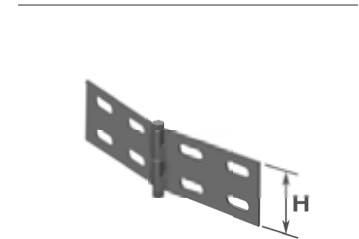
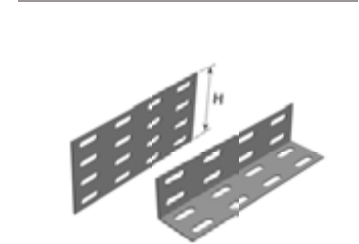
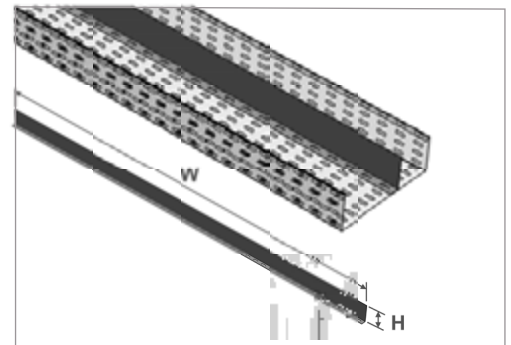
PART NO.	DESCRIPTION
ALHADCP50HDG	Cable tray horizontal adjust coupler, 50mm deep, HOG,
ALHADCP75HDG	Cable tray horizontal adjust coupler, 75mm deep, HOG,
ALHADCP100HDG	Cable tray horizontal adjust coupler, 100mm deep, HOG,
ALHADCP50PG	Cable tray horizontal adjust coupler, 50mm deep, GI,

## VERTICAL ADJUSTABLE COUPLER

PART NO.	DESCRIPTION
ALVACPSOHG	Cable tray vertical adjust coupler, 50mm deep, HOG,
ALVACP75HDG	Cable tray vertical adjust coupler, 75mm deep, HOG,
ALVACP100HDG	Cable tray vertical adjust coupler, 100mm deep, HOG,
ALVACPSOGI	Cable tray vertical adjust coupler, 50mm deep, GI,

## UNDER FLOOR STAND

PART NO.	DESCRIPTION
ALCUFS100HDG	Cable tray under floor stand, 100mm width, HDG
ALCUFS200HDG	Cable tray under floor stand, 200mm width, HDG
ALCUFS300HDG	Cable tray under floor stand, 300mm width, HDG
ALCUFS400HDG	Cable tray under floor stand, 400mm width, HDG
ALCUFS600HDG	Cable tray under floor stand, 600mm width, HDG



AL-CP300  
length: 50mm, 75mm, 100mm

## COVER CLAMP

AL-BJ100  
length: 120mm



## BONDING JUMPER



# ADVANCE LINE

CABLE MANAGEMENT SYSTEM L.L.C

**Advance Line** Cable Trunking has connector perforations on both sides. Straight connectors should be ordered separately and in the appropriate quantity.

**Advance Line** Cable Trunking System is a fully enclosed cable trunking made of a G.I Plate. It can effectively protect the cable from dust, moisture, corrosion, fire, and other external factors. It can also effectively shield the electromagnetic interference generated by the cable, and improve the transmission efficiency and safety of the cable.

The comprehensive cable trunking ranges consist of standard distribution Trunking and lighting trunking. Standard distribution trunking is Available in widths up to 325 mm as standard. Lids are attached by turn buckle fixings, With Screw fix and tamper proof fixings also available as optional.



NFPA 130-2007



**02**

## CABLE TRUNKING



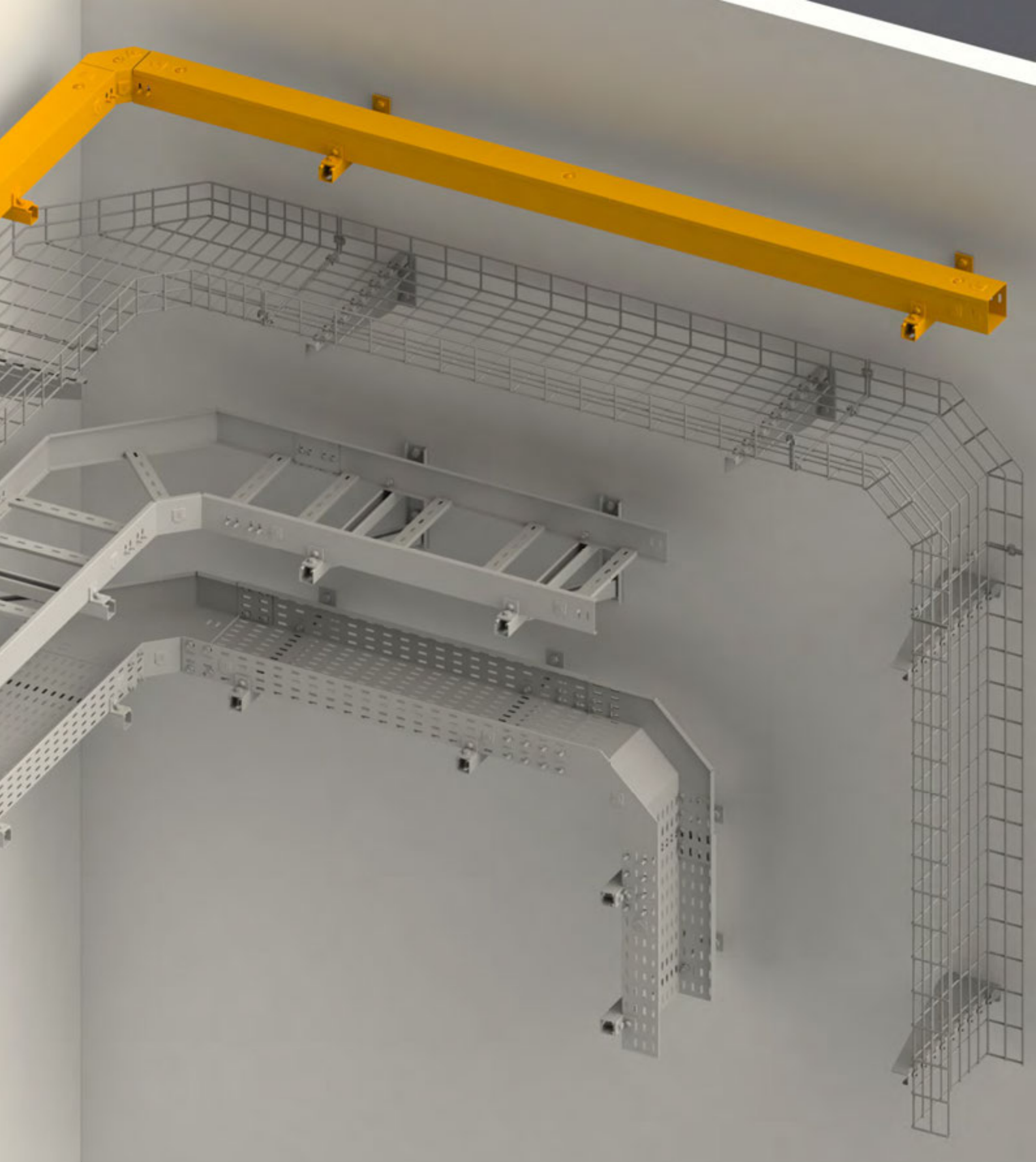
[www.AL-qatar.com](http://www.AL-qatar.com)  
[info@AL-qatar.com](mailto:info@AL-qatar.com)



+974 44419827  
+974 66141726  
+974 55073385



Birkat Al-Awamer, Doha-Qatar  
PO Box: 10367



**ADVANCE LINE**  
CABLE MANAGEMENT SYSTEM L.L.C





## Feature Benefits :

- Manufactured from steel complying with BS EN 10327:2004
- Complies with BS EN 1:2006 - 2 - 50085 & 1:2005 - 50085
- As Pre-galvanised, standard and powder coated to order.
- 5 year guarantee.



NFPA 130-2007



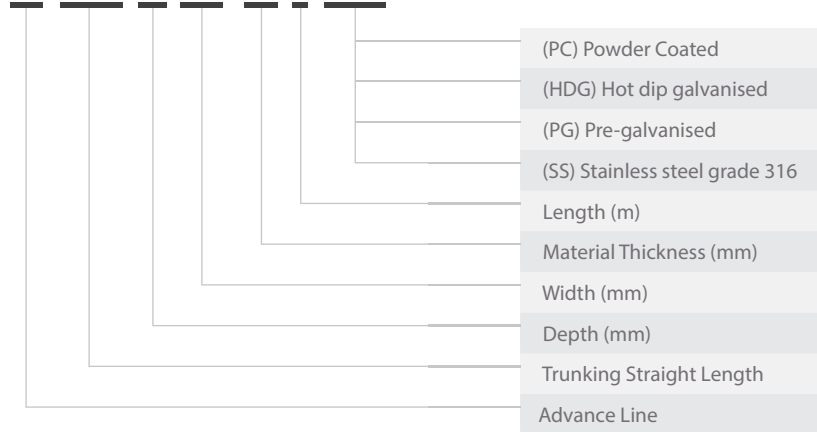
## Specification Material :

Materials and finishes available are mild steel pre galvanised as Standard and powder coated as optional. Mild steel hot dip galvanised: Manufactured from steel complying with BS EN 10327:2004

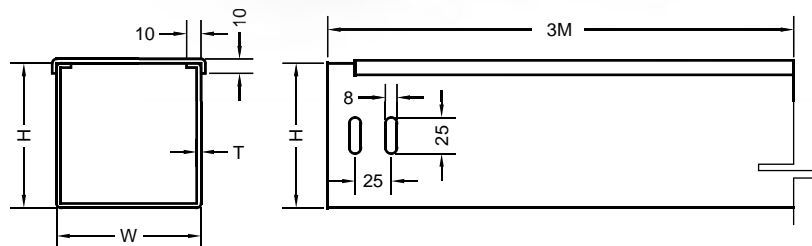
## Identification and Selection :

Code Detail

AL TSL 50 100 1.2 3 PG



- TTB Cable Trunking Top Bend
- TIB Cable Trunking Inside Bend
- TOB Cable Trunking Outside Bend
- TTT Cable Trunking Top Tee
- TTC Cable Trunking Top Cross
- CTR Cable Trunking Reducer
- CTR-L Cable Trunking Reducer Left
- CTR-R Cable Trunking Reducer Right



## Cover Type :

- SC Screw Fixed
- BF Butterfly Lock
- CT Clamp Type





# ADVANCE LINE CABLE TRUNKING

## TSL-Straight Cable Trunking

Three Compartment

Top View



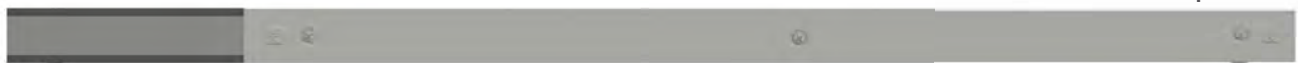
Two Compartment

Top View



One Compartment

Top View



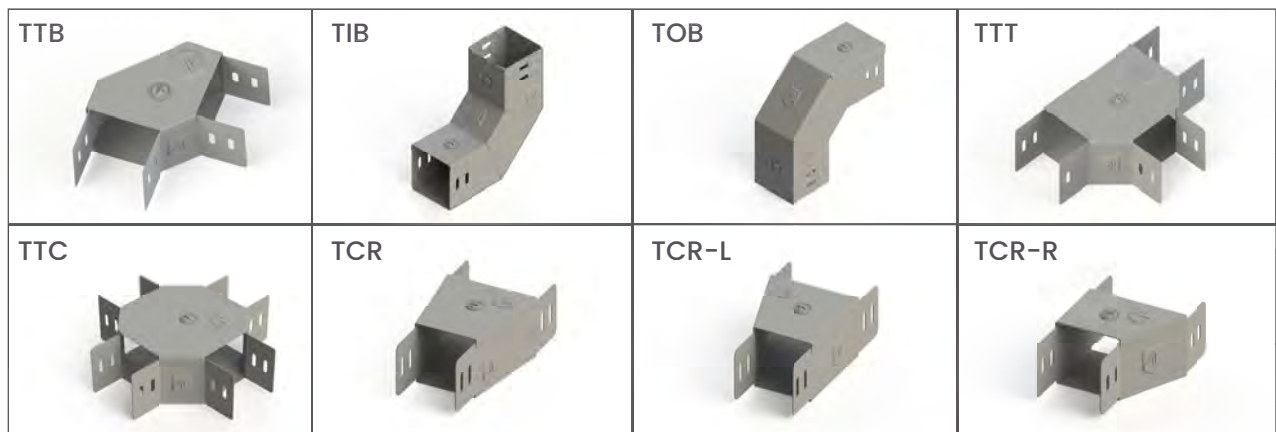
Side View



Width X Depth (mm)	Part No.	Thick-ness	Description
300X50	AL1TSL050 300-1.2PG3SC	1.2	Straight Trunk, One Compartment,50 deep, 300 wide, Pre-galvanized, SC
100X100	AL1TSL 100 100-1PG3SC	1	Straight Trunk, One Compartment,100 deep, 100 wide, Pre-galvanized, SC
200X100	AL1TSL 100 200-1.2PG3SC	1.2	Straight Trunk, One Compartment,100 deep, 200 wide, Pre-galvanized, SC
150X50	AL1TSL050 150-1PG3SC	1	Straight Trunk, One Compartment,50 deep, 150 wide, Pre-galvanized, SC
100X50	AL1TSL050 100-1PG3SC	1	Straight Trunk, One Compartment,50 deep, 100 wide, Pre-galvanized, SC
200X50	AL2TSL050 200-1.2PG3SC	1.2	Straight Trunk, Two Compartment,50 deep, 200 wide, Pre-galvanized, SC
300X50	AL3TSL050 300-1.5PG3SC	1.5	Straight Trunk, Three Compartment,50 deep, 300 wide, Pre-galvanized, SC
300X100	AL3TSL 100 300-1.5PG3SC	1.5	Straight Trunk, Three Compartment,100 deep, 300 wide, Pre-galvanized, SC

\*Finish: Pre-galvanised= PG, hot dip galvanised= HDG, stainless steel grade 316 = 55

## CABLE TRUNKING ACCESSORIES:





## TTB Cable Trunking Top Bend



Width X Depth (mm)	Part No.	Thickness	Description
300X50	AL1TTB 50 300-1.2PG90°SC	1.2	Cable Trunk Top Bend, One Comp.,50 deep, 300 wide, Pre-galvanized, SC
100X100	AL1TTB 100 100-1PG90°SC	1	Cable Trunk Top Bend, One Comp.,100 deep, 100 wide, Pre-galvanized, SC
200X100	AL1TTB 100 200-1.2PG90°SC	1.2	Cable Trunk Top Bend, One Comp.,100 deep, 200 wide, Pre-galvanized, SC
150X50	AL1TTB 50 150-1PG90°SC	1	Cable Trunk Top Bend, One Comp.,50 deep, 150 wide, Pre-galvanized, SC
100X50	AL1TTB 50 100-1PG90°SC	1	Cable Trunk Top Bend, One Comp.,50 deep, 100 wide, Pre-galvanized, SC
200X50	AL2TTB 50 200-1.2PG90°SC	1.2	Cable Trunk Top Bend, Two Comp.,50 deep, 200 wide, Pre-galvanized, SC
300X50	AL3TTB 50 300-1.5PG90°SC	1.5	Cable Trunk Top Bend, Three Comp.,50 deep, 300 wide, Pre-galvanized, SC
300X100	AL3TTB 100 300-1.5PG90°SC	1.5	Cable Trunk Top Bend, Three Comp.,100 deep, 300 wide, Pre-galvanized, SC

## TIB Cable Trunking Inside Bend



Width X Depth (mm)	Part No.	Thickness	Description
300X50	AL1TIB 50 300-1.2PG90°SC	1.2	Cable Trunk Inside Bend, One Comp.,50 deep, 300 wide, Pre-galvanized, SC
100X100	AL1TIB 100 100-1PG90°SC	1	Cable Trunk Inside Bend, One Comp.,100 deep, 100 wide, Pre-galvanized, SC
200X100	AL1TIB 100 200-1.2PG90°SC	1.2	Cable Trunk Inside Bend, One Comp.,100 deep, 200 wide, Pre-galvanized, SC
150X50	AL1TIB 50 150-1PG90°SC	1	Cable Trunk Inside Bend, One Comp.,50 deep, 150 wide, Pre-galvanized, SC
100X50	AL1TIB 50 100-1PG90°SC	1	Cable Trunk Inside Bend, One Comp.,50 deep, 100 wide, Pre-galvanized, SC
200X50	AL2TIB 50 200-1.2PG90°SC	1.2	Cable Trunk Inside Bend, Two Comp.,50 deep, 200 wide, Pre-galvanized, SC
300X50	AL3TIB0 50 300-1.5PG90°SC	1.5	Cable Trunk Inside Bend, Three Comp.,50 deep, 300 wide, Pre-galvanized, SC
300X100	AL3TIB 100 300-1.5PG90°SC	1.5	Cable Trunk Inside Bend, Three Comp.,100 deep, 300 wide, Pre-galvanized, SC

## TOB Cable Trunking Outside Bend



Width X Depth (mm)	Part No.	Thickness	Description
300X50	AL1TOB 50 300-1.2PG90°SC	1.2	Cable Trunk Outside Bend, One Comp.,50 deep, 300 wide, Pre-galvanized, SC
100X100	AL1TOB 100 100-1PG90°SC	1	Cable Trunk Outside Bend, One Comp.,100 deep, 100 wide, Pre-galvanized, SC
200X100	AL1TOB 100 200-1.2PG90°SC	1.2	Cable Trunk Outside Bend, One Comp.,100 deep, 200 wide, Pre-galvanized, SC
150X50	AL1TOB 50 150-1PG90°SC	1	Cable Trunk Outside Bend, One Comp.,50 deep, 150 wide, Pre-galvanized, SC
100X50	AL1TOB 50 100-1PG90°SC	1	Cable Trunk Outside Bend, One Comp.,50 deep, 100 wide, Pre-galvanized, SC
200X50	AL2TOB 50 200-1.2PG90°SC	1.2	Cable Trunk Outside Bend, Two Comp.,50 deep, 200 wide, Pre-galvanized, SC
300X50	AL3TOB 50 300-1.5PG90°SC	1.5	Cable Trunk Outside Bend, Three Comp.,50 deep, 300 wide, Pre-galvanized, SC
300X100	AL3TOB 100 300-1.5PG90°SC	1.5	Cable Trunk Outside Bend, Three Comp.,100 deep, 300 wide, Pre-galvanized, SC



# ADVANCE LINE CABLE TRUNKING

## TTT Cable Trunking Top Tee



Width X Depth (mm)	Part No.	Thick-ness	Description
300X50	AL1TTT 50 300-1.2PG90°SC	1.2	Cable Trunk Top Tee, One Comp.,50 deep, 300 wide, Pre-galvanized, SC
100X100	AL1TTT 100 100-1PG90°SC	1	Cable Trunk Top Tee, One Comp.,100 deep, 100 wide, Pre-galvanized, SC
200X100	AL1TTT 100 200-1.2PG90°SC	1.2	Cable Trunk Top Tee, One Comp.,100 deep, 200 wide, Pre-galvanized, SC
150X50	AL1TTT 50 150-1PG90°SC	1	Cable Trunk Top Tee, One Comp.,50 deep, 150 wide, Pre-galvanized, SC
100X50	AL1TTT 50 100-1PG90°SC	1	Cable Trunk Top Tee, One Comp.,50 deep, 100 wide, Pre-galvanized, SC
200X50	AL2TTT 50 200-1.2PG90°SC	1.2	Cable Trunk Top Tee, Two Comp.,50 deep, 200 wide, Pre-galvanized, SC
300X50	AL3TTT 50 300-1.5PG90°5C	1.5	Cable Trunk Top Tee, Three Comp.,50 deep, 300 wide, Pre-galvanized, SC
300X100	AL3TTT 100 300-1.5PG90°5C	1.5	Cable Trunk Top Tee, Three Comp.,100 deep, 300 wide, Pre-galvanized, SC

## TTC Cable Trunking Top Cross



Width X Depth (mm)	Part No.	Thick-ness	Description
300X50	AL1TTC 50 300-1.2PG90°SC	1.2	Cable Trunk Top Cross, One Comp.,50 deep, 300 wide, Pre-galvanized, SC
100X100	AL1TTC 100 100-1PG90°SC	1	Cable Trunk Top Cross, One Comp.,100 deep, 100 wide, Pre-galvanized, SC
200X100	AL1TTC 100 200-1.2PG90°SC	1.2	Cable Trunk Top Cross, One Comp.,100 deep, 200 wide, Pre-galvanized, SC
150X50	AL1TTC 50 150-1PG90°SC	1	Cable Trunk Top Cross, One Comp.,50 deep, 150 wide, Pre-galvanized, SC
100X50	AL1TTC 50 100-1PG90°SC	1	Cable Trunk Top Cross, One Comp.,50 deep, 100 wide, Pre-galvanized, SC
200X50	AL2TTC 50 200-1.2PG90°SC	1.2	Cable Trunk Top Cross, Two Comp.,50 deep, 200 wide, Pre-galvanized, SC
300X50	AL3TTC 50 300-1.5PG90°5C	1.5	Cable Trunk Top Cross, Three Comp.,50 deep, 300 wide, Pre-galvanized, SC
300X100	AL3TTC 100 300-1.5PG90°5C	1.5	Cable Trunk Top Cross, Three Comp.,100 deep, 300 wide, Pre-galvanized, SC

## CTR Cable Trunking Reducer



Width X Depth (mm)	Part No.	Thick-ness	Description
300X50	AL1CTR 50 300-1.2PG90°SC	1.2	Cable Trunk Reducer, One Comp.,50 deep, 300 wide, Pre-galvanized, SC
100X100	AL1CTR 100 100-1PG90°SC	1	Cable Trunk Reducer, One Comp.,100 deep, 100 wide, Pre-galvanized, SC
200X100	AL1CTR 100 200-1.2PG90°SC	1.2	Cable Trunk Reducer, One Comp.,100 deep, 200 wide, Pre-galvanized, SC
150X50	AL1CTR 50 150-1PG90°SC	1	Cable Trunk Reducer, One Comp.,50 deep, 150 wide, Pre-galvanized, SC
100X50	AL1CTR 50 100-1PG90°SC	1	Cable Trunk Reducer, One Comp.,50 deep, 100 wide, Pre-galvanized, SC
200X50	AL2CTR 50 200-1.2PG90°SC	1.2	Cable Trunk Reducer, Two Comp.,50 deep, 200 wide, Pre-galvanized, SC
300X50	AL3CTR 50 300-1.5PG90°5C	1.5	Cable Trunk Reducer, Three Comp.,50 deep, 300 wide, Pre-galvanized, SC
300X100	AL3CTR 100 300-1.5PG90°5C	1.5	Cable Trunk Reducer, Three Comp.,100 deep, 300 wide, Pre-galvanized, SC



## CTR-L Cable Trunking Reducer Left



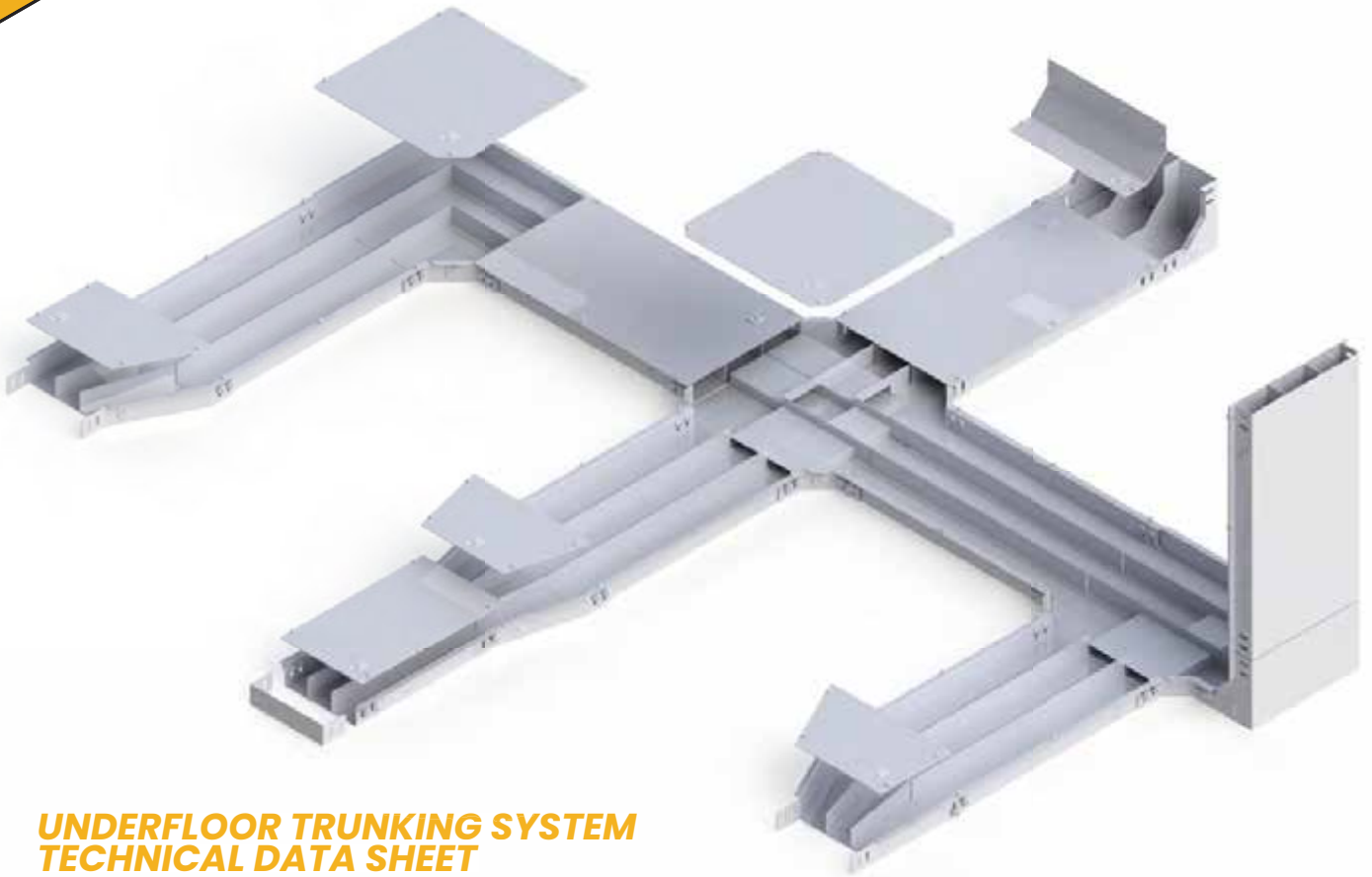
Width X Depth (mm)	Part No.	Thickness	Description
300X50	AL1CTR-L 50 300-1.2PG90°SC	1.2	Cable Trunk Reducer Lef, One Comp.,50 deep, 300 wide, Pre-galvanized, SC
100X100	AL1CTR-L 100 100-1PG90°SC	1	Cable Trunk Reducer Lef, One Comp.,100 deep, 100 wide, Pre-galvanized, SC
200X100	AL1CTR-L 100 200-1.2PG90°SC	1.2	Cable Trunk Reducer Lef, One Comp.,100 deep, 200 wide, Pre-galvanized, SC
150X50	AL1CTR-L 50 150-1PG90°SC	1	Cable Trunk Reducer Lef, One Comp.,50 deep, 150 wide, Pre-galvanized, SC
100X50	AL1CTR-L 50 100-1PG90°SC	1	Cable Trunk Reducer Lef, One Comp.,50 deep, 100 wide, Pre-galvanized, SC
200X50	AL2CTR-L 50 200-1.2PG90°SC	1.2	Cable Trunk Reducer Lef, Two Comp.,50 deep, 200 wide, Pre-galvanized, SC
300X50	AL3CTR-L 50 300-1.5PG90°SC	1.5	Cable Trunk Reducer Lef, Three Comp.,50 deep, 300 wide, Pre-galvanized, SC
300X100	AL3CTR-L 100 300-1.5PG90°SC	1.5	Cable Trunk Reducer Lef, Three Comp.,100 deep, 300 wide, Pre-galvanized, SC

## CTR-R Cable Trunking Reducer Right



Width X Depth (mm)	Part No.	Thickness	Description
300X50	AL1CTR-R 50 300-1.2PG90°SC	1.2	Cable Trunk Reducer Right, One Comp.,50 deep, 300 wide, Pre-galvanized, SC
100X100	AL1CTR-R 100 100-1PG90°SC	1	Cable Trunk Reducer Right, One Comp.,100 deep, 100 wide, Pre-galvanized, SC
200X100	AL1CTR-R 100 200-1.2PG90°SC	1.2	Cable Trunk Reducer Right, One Comp.,100 deep, 200 wide, Pre-galvanized, SC
150X50	AL1CTR-R 50 150-1PG90°SC	1	Cable Trunk Reducer Right, One Comp.,50 deep, 150 wide, Pre-galvanized, SC
100X50	AL1CTR-R 50 100-1PG90°SC	1	Cable Trunk Reducer Right, One Comp.,50 deep, 100 wide, Pre-galvanized, SC
200X50	AL2CTR-R 50 200-1.2PG90°SC	1.2	Cable Trunk Reducer Right, Two Comp.,50 deep, 200 wide, Pre-galvanized, SC
300X50	AL3CTR-R 50 300-1.5PG90°SC	1.5	Cable Trunk Reducer Right, Three Comp.,50 deep, 300 wide, Pre-galvanized, SC
300X100	AL3CTR-R 100 300-1.5PG90°SC	1.5	Cable Trunk Reducer Right, Three Comp.,100 deep, 300 wide, Pre-galvanized, SC

<b>Standard Connector</b> <b>AL-SC100</b> 	<b>Block End Cap</b> <b>AL-BEC600</b> 	<b>U-Type Connector</b> <b>AL-UT400</b> 	
<b>Cover Clamp</b> <b>AL-CP300</b> 	<b>Butterfly Lock</b> <b>AL-BL500</b> 	<b>Bonding Jumper</b> <b>AL-BJ100</b>  length: 120mm	<b>Copper Earth Link</b> <b>AL-CEL200</b> 



## UNDERFLOOR TRUNKING SYSTEM TECHNICAL DATA SHEET

ADVANCE LINE Under Floor Trunking system comprises of single or multi-way trunking made of rigid, non-corrodible, galvanized Steel sheets. Multi-way characteristic that is suitable for use in the distribution of power (electrical), telephone (voice), computer signal (Data) and service screeds and is finished in accordance with the layouts shown in the specification drawings.

All compartments are separated by a removable sectionalized separator between compartments for the entire length of the trunking system.

The compartment dividers are easily removed and reinstalled without having to use special Tools or modification of parts. For large span compartments, intermediate support is provided to prevent sagging.

Part Number: **UFT - 3 - 300 - 50 - 1.5 - HDG**

Model	Compartments	Width	Depth	Thickness	Material
Under Floor Trunking	1	50mm	40mm	1.2	G.I : Pre-Galvanized
	2	75mm	40mm	1.2	HDG : Hot Dip Galvanized
	3	100mm	40mm	1.2	PC : Powder Coating
	4	200mm	40mm	1.2	SS : Stainless Steel
		250mm	50mm	1.2	EC : Epoxy Coating
		300mm	50mm	1.5	AL : Aluminum
		400mm	50mm	1.5	
		500mm	100mm	2.0	

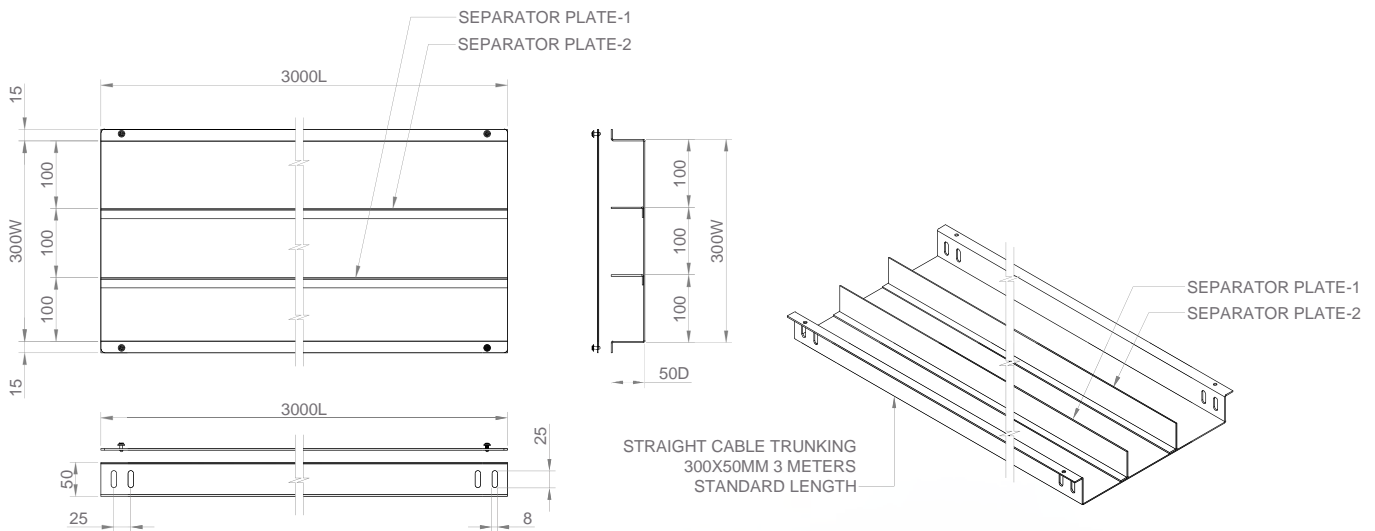
### ACCESSORIES:

1. Equal/Unequal Tee
2. 90D/45D Elbow
3. Cross Over
4. Inside Riser
5. Reducer Left/Straight/Right
6. Standard Connector
7. Block End Cap
8. Leveling Kit

\* Special sizes are available upon request



## UFTS: Underfloor Trunking Straight



**STANDARD CONNECTOR**  
AL-SC100



**BLOCK END CAP**  
AL-BEC600



**LEVELING KIT**  
AL-LK100



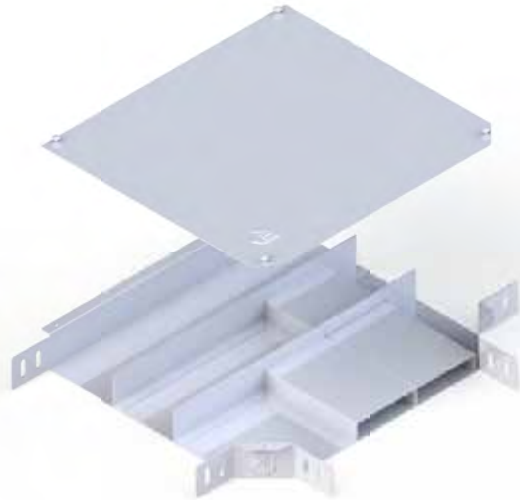
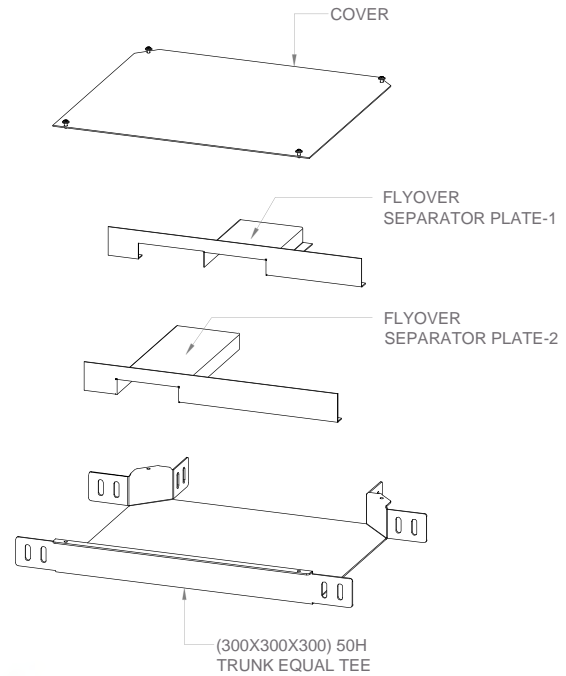
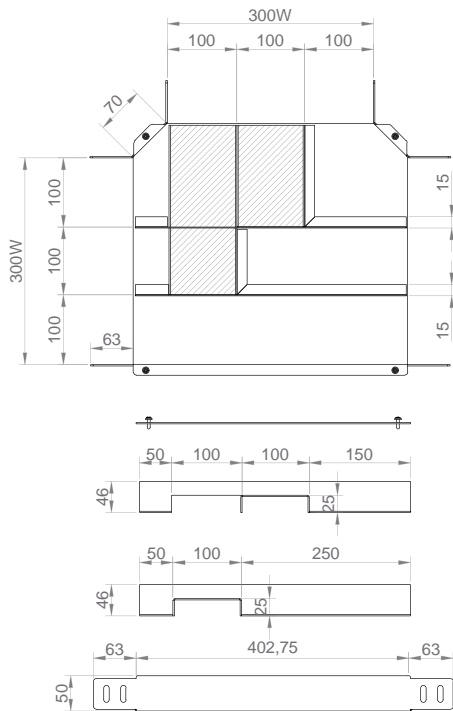
Width X Depth (mm)	Part No.	Thick-ness	Description
100X40	UFTS-1-100X40, 1.2 HDG	1.2	Straight Trunk, One Compartment, 100 wide, 40 deep, Hot Dip Galvanized
125X40	UFTS-2-125X40, 1.2 HDG	1.2	Straight Trunk, Two Compartment, 150 wide, 40 deep, Hot Dip Galvanized
350X40	UFTS-3-350X40, 1.5 HDG	1.5	Straight Trunk, Three Compartment, 350 wide, 40 deep, Hot Dip Galvanized
400X40	UFTS-4-400X40, 1.5 HDG	1.5	Straight Trunk, Four Compartment, 400 wide, 40 deep, Hot Dip Galvanized
100x50	UFTS-1-100X50, 1.2 HDG	1.2	Straight Trunk, One Compartment, 100 wide, 50 deep, Hot Dip Galvanized
125x50	UFTS-2-125X50, 1.2 HDG	1.2	Straight Trunk, Two Compartment, 150 wide, 50 deep, Hot Dip Galvanized
350x50	UFTS-3-350X50, 1.5 HDG	1.5	Straight Trunk, Three Compartment, 350 wide, 50 deep, Hot Dip Galvanized
400x50	UFTS-4-400X50, 1.5 HDG	1.5	Straight Trunk, Four Compartment, 400 wide, 50 deep, Hot Dip Galvanized

\* Special sizes are available upon request

\*Finish: Pre-galvanised= PG, hot dip galvanised= HDG, stainless steel grade 316 = SS



## UFTT: Underfloor Trunking Tee



Width X Depth (mm)	Part No.	Thick-ness	Description
100X40	UFTT-1-100X40, 1.2 HDG	1.2	Tee Trunk, One Compartment, 100 wide, 40 deep, Hot Dip Galvanized
125X40	UFTT-2-125X40, 1.2 HDG	1.2	Tee Trunk, Two Compartment, 150 wide, 40 deep, Hot Dip Galvanized
350X40	UFTT-3-350X40, 1.5 HDG	1.5	Tee Trunk, Three Compartment, 350 wide, 40 deep, Hot Dip Galvanized
400X40	UFTT-4-400X40, 1.5 HDG	1.5	Tee Trunk, Four Compartment, 400 wide, 40 deep, Hot Dip Galvanized
100x50	UFTT-1-100X50, 1.2 HDG	1.2	Tee Trunk, One Compartment, 100 wide, 50 deep, Hot Dip Galvanized
125x50	UFTT-2-125X50, 1.2 HDG	1.2	Tee Trunk, Two Compartment, 150 wide, 50 deep, Hot Dip Galvanized
350x50	UFTT-3-350X50, 1.5 HDG	1.5	Tee Trunk, Three Compartment, 350 wide, 50 deep, Hot Dip Galvanized
400x50	UFTT-4-400X50, 1.5 HDG	1.5	Tee Trunk, Four Compartment, 400 wide, 50 deep, Hot Dip Galvanized

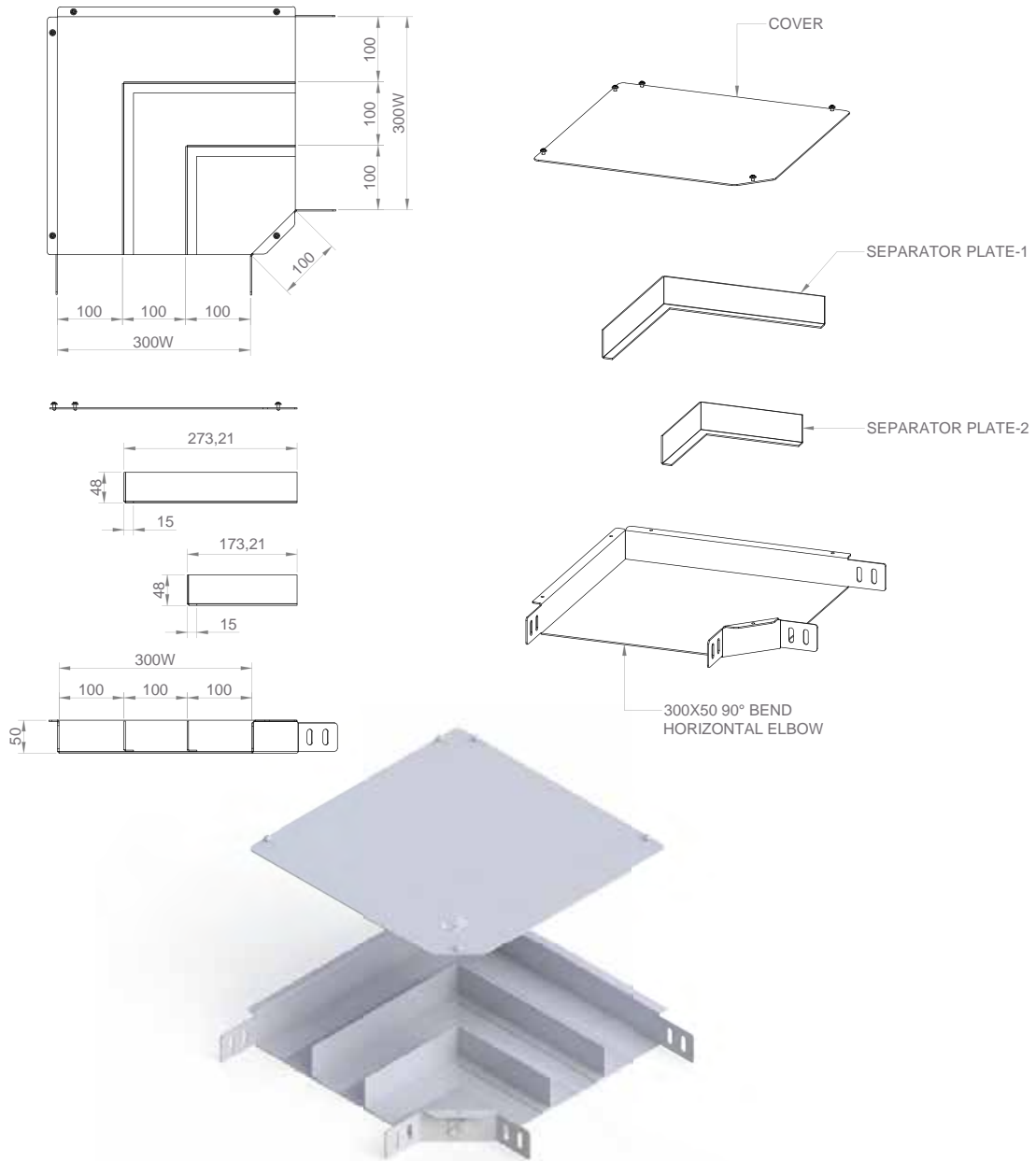
\* Special sizes are available upon request

\*Finish: Pre-galvanised= PG, hot dip galvanised= HDG, stainless steel grade 316 = SS





## UFTE: Underfloor Trunking Elbow



Width X Depth (mm)	Part No.	Thick-ness	Description
100X40	UFTE-1-100X40, 1.2 HDG	1.2	Elbow Trunk, One Compartment, 100 wide, 40 deep, Hot Dip Galvanized
125X40	UFTE-2-125X40, 1.2 HDG	1.2	Elbow Trunk, Two Compartment, 150 wide, 40 deep, Hot Dip Galvanized
350X40	UFTE-3-350X40, 1.5 HDG	1.5	Elbow Trunk, Three Compartment, 350 wide, 40 deep, Hot Dip Galvanized
400X40	UFTE-4-400X40, 1.5 HDG	1.5	Elbow Trunk, Four Compartment, 400 wide, 40 deep, Hot Dip Galvanized
100x50	UFTE-1-100X50, 1.2 HDG	1.2	Elbow Trunk, One Compartment, 100 wide, 50 deep, Hot Dip Galvanized
125x50	UFTE-2-125X50, 1.2 HDG	1.2	Elbow Trunk, Two Compartment, 150 wide, 50 deep, Hot Dip Galvanized
350x50	UFTE-3-350X50, 1.5 HDG	1.5	Elbow Trunk, Three Compartment, 350 wide, 50 deep, Hot Dip Galvanized
400x50	UFTE-4-400X50, 1.5 HDG	1.5	Elbow Trunk, Four Compartment, 400 wide, 50 deep, Hot Dip Galvanized

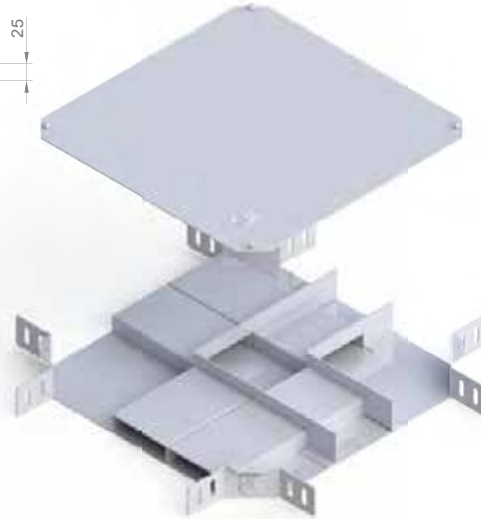
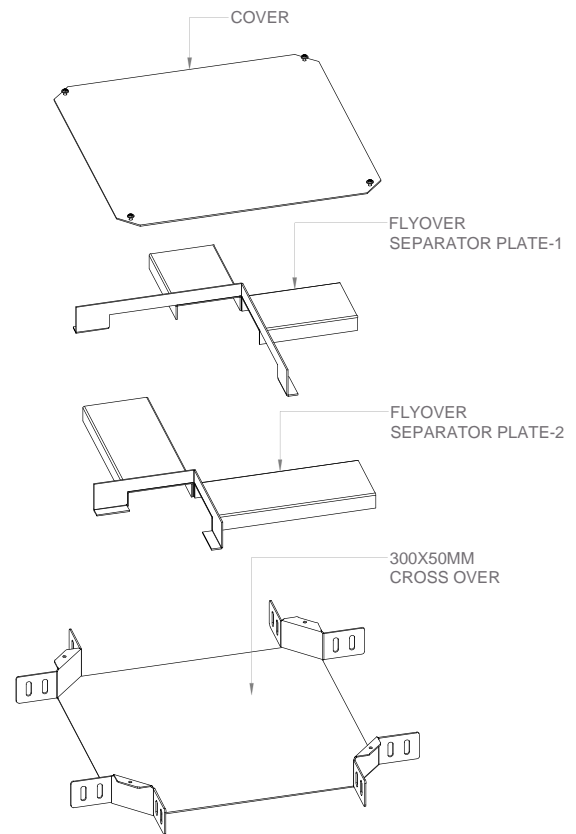
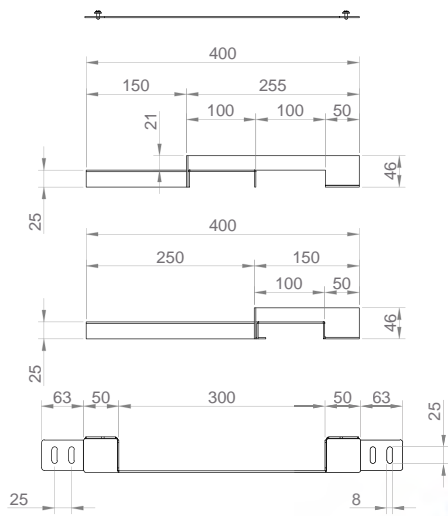
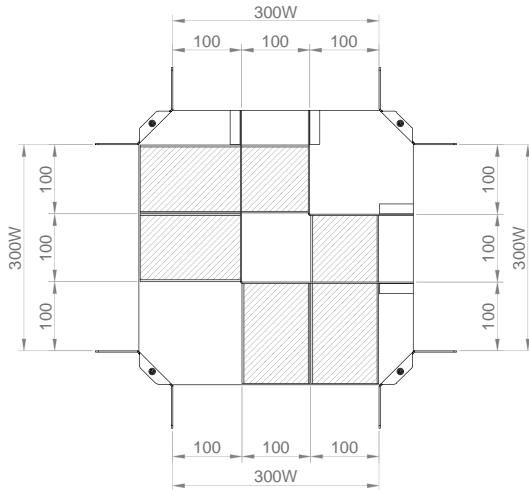
\* Special sizes are available upon request

\*Finish: Pre-galvanised= PG, hot dip galvanised= HDG, stainless steel grade 316 = SS



# ADVANCE LINE CABLE TRUNKING

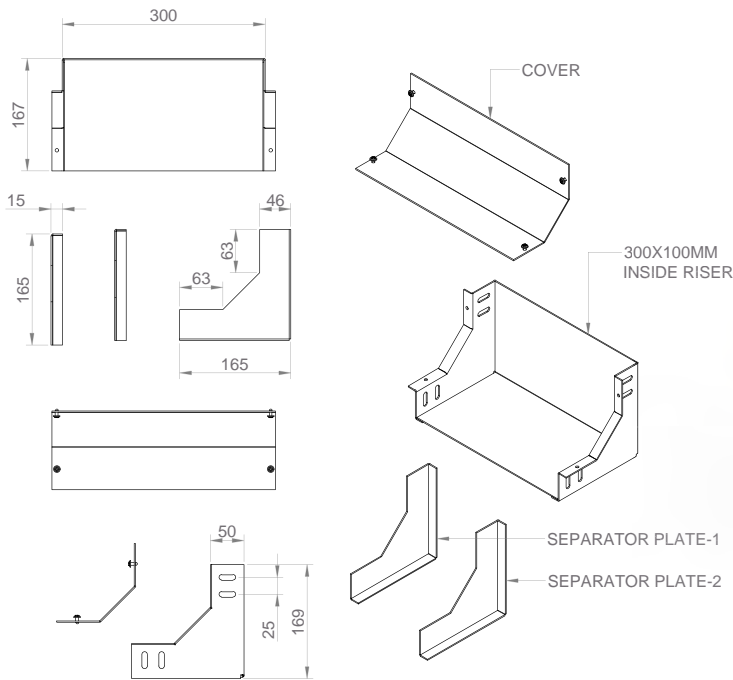
## UFTC: Underfloor Trunking Cross Over



Width X Depth (mm)	Part No.	Thick-ness	Description
100X40	UFTC-1-100X40, 1.2 HDG	1.2	Cross Trunk, One Compartment, 100 wide, 40 deep, Hot Dip Galvanized
125X40	UFTC-2-125X40, 1.2 HDG	1.2	Cross Trunk, Two Compartment, 150 wide, 40 deep, Hot Dip Galvanized
350X40	UFTC-3-350X40, 1.5 HDG	1.5	Cross Trunk, Three Compartment, 350 wide, 40 deep, Hot Dip Galvanized
400X40	UFTC-4-400X40, 1.5 HDG	1.5	Cross Trunk, Four Compartment, 400 wide, 40 deep, Hot Dip Galvanized
100x50	UFTC-1-100X50, 1.2 HDG	1.2	Cross Trunk, One Compartment, 100 wide, 50 deep, Hot Dip Galvanized
125x50	UFTC-2-125X50, 1.2 HDG	1.2	Cross Trunk, Two Compartment, 150 wide, 50 deep, Hot Dip Galvanized
350x50	UFTC-3-350X50, 1.5 HDG	1.5	Cross Trunk, Three Compartment, 350 wide, 50 deep, Hot Dip Galvanized
400x50	UFTC-4-400X50, 1.5 HDG	1.5	Cross Trunk, Four Compartment, 400 wide, 50 deep, Hot Dip Galvanized

\* Special sizes are available upon request

\*Finish: Pre-galvanised= PG, hot dip galvanised= HDG, stainless steel grade 316 = SS



## UFTI: Underfloor Trunking Inside Riser



Width X Depth (mm)	Part No.	Thickness	Description
100X40	UFTI-1-100X40, 1.2 HDG	1.2	Riser Trunk, One Compartment, 100 wide, 40 deep, Hot Dip Galvanized
125X40	UFTI-2-125X40, 1.2 HDG	1.2	Riser Trunk, Two Compartment, 150 wide, 40 deep, Hot Dip Galvanized
350X40	UFTI-3-350X40, 1.5 HDG	1.5	Riser Trunk, Three Compartment, 350 wide, 40 deep, Hot Dip Galvanized
400X40	UFTI-4-400X40, 1.5 HDG	1.5	Riser Trunk, Four Compartment, 400 wide, 40 deep, Hot Dip Galvanized
100x50	UFTI-1-100X50, 1.2 HDG	1.2	Riser Trunk, One Compartment, 100 wide, 50 deep, Hot Dip Galvanized
125x50	UFTI-2-125X50, 1.2 HDG	1.2	Riser Trunk, Two Compartment, 150 wide, 50 deep, Hot Dip Galvanized
350x50	UFTI-3-350X50, 1.5 HDG	1.5	Riser Trunk, Three Compartment, 350 wide, 50 deep, Hot Dip Galvanized
400x50	UFTI-4-400X50, 1.5 HDG	1.5	Riser Trunk, Four Compartment, 400 wide, 50 deep, Hot Dip Galvanized

## UFTR: Underfloor Trunking Reducers



**Left**



**Straight**



**Right**

Width X Depth (mm)	Part No.	Thickness	Description
100X40	UFTR-1-100-50, 40, 1.2 HDG	1.2	Reducer Trunk, One Compartment, 100-50 wide, 40 deep, Hot Dip Galvanized
125X40	UFTR-2-125-100, 40, 1.2 HDG	1.2	Reducer Trunk, Two Compartment, 150-100 wide, 40 deep, Hot Dip Galvanized
350X40	UFTR-3-350-250, 40, 1.5 HDG	1.5	Reducer Trunk, Three Compartment, 350-250 wide, 40 deep, Hot Dip Galvanized
400X40	UFTR-4-400-200, 40, 1.5 HDG	1.5	Reducer Trunk, Four Compartment, 400-200 wide, 40 deep, Hot Dip Galvanized
100x50	UFTR-1-100-50, 50, 1.2 HDG	1.2	Reducer Trunk, One Compartment, 100-50 wide, 50 deep, Hot Dip Galvanized
125x50	UFTR-2-125-100, 50, 1.2 HDG	1.2	Reducer Trunk, Two Compartment, 150-100 wide, 50 deep, Hot Dip Galvanized
350x50	UFTR-3-350-250, 50, 1.5 HDG	1.5	Reducer Trunk, Three Compartment, 350-250 wide, 50 deep, Hot Dip Galvanized
400x50	UFTR-4-400-200, 50, 1.5 HDG	1.5	Reducer Trunk, Four Compartment, 400-200 wide, 50 deep, Hot Dip Galvanized

\* Special sizes are available upon request

\*Finish: Pre-galvanised= PG, hot dip galvanised= HDG, stainless steel grade 316 = SS



# ADVANCE LINE

CABLE MANAGEMENT SYSTEM L.L.C

**Advance Line** cable ladder range consist of the systems commencing with 100mm deep , up to 150 mm deep, all with a wide offering of accessories. (2.0mm thick side rails). Pre-galvanised standard distribution trunking & lighting trunking, available in single & multiple compartment options. Available in widths and depths upto 225mm as standard.



NFPA 130-2007



03

## CABLE LADDER



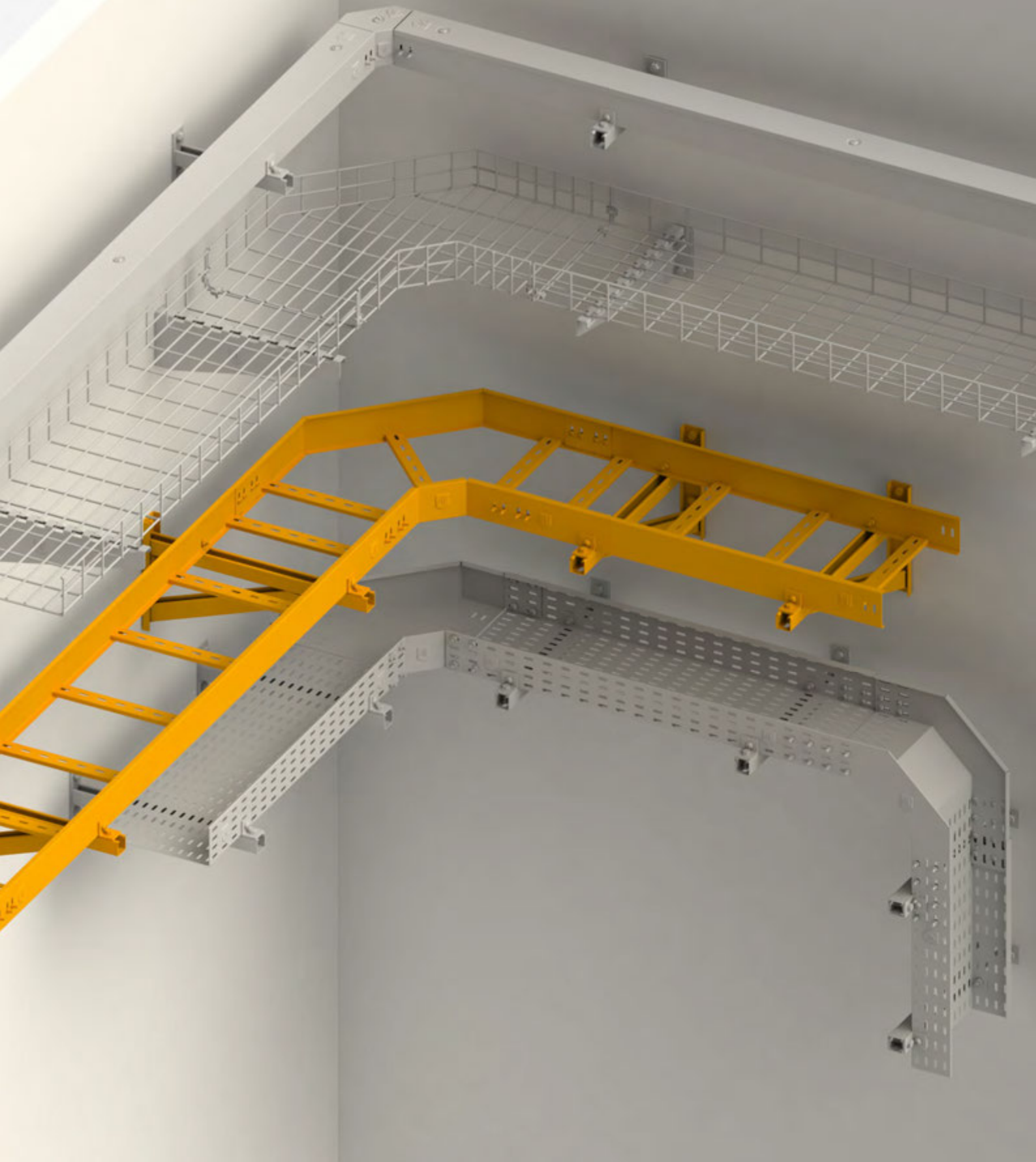
[www.AL-qatar.com](http://www.AL-qatar.com)  
[info@AL-qatar.com](mailto:info@AL-qatar.com)



+974 44419827  
+974 66141726  
+974 55073385



Birkat Al-Awamer, Doha-Qatar  
PO Box: 10367



**ADVANCE LINE**  
CABLE MANAGEMENT SYSTEM L.L.C



The comprehensive cable ladder range consist of the systems Commencing with 100mm deep , up to 200mm deep , All with a wide offering of accessories. (2.0mm thick side rails)

## Feature Benefits :

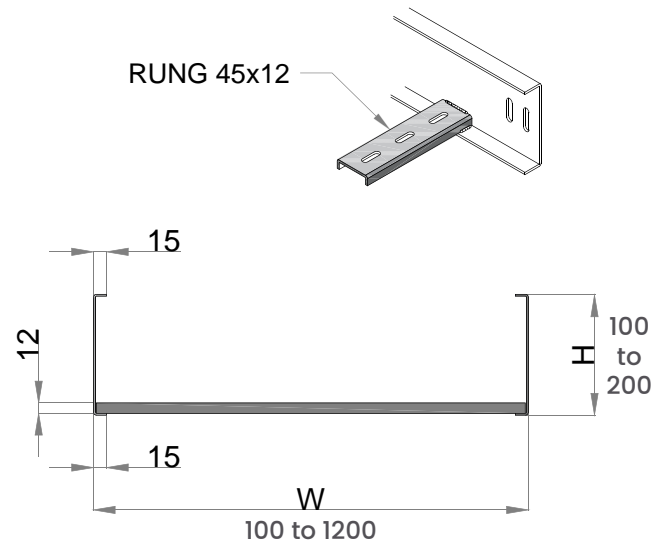
- Manufactured from steel complying with BS EN 10025 - 2:2004
- Hot Dip Galvanised after manufacture to BS EN ISO 1461 :1991
- Rungs alternatively reversed as standard at 300mm maximum centers.
- Complies with BS EN 61537:2007
- Also available in Stainless steel grade 316 L complying with BS EN 10088 - 2:2005

## Standard Finishes :

- HDG - Hot dip Galvanized to BS EN ISO1461:1999 (Formerly BS 729)
- PG - Pre-galvanized to BS EN10142 &10143
- PC - Powder Coating to suit clients requirements
- SS - Stainless steel finish to required grades
- ALM - Aluminium Alloy

## Specification Material :

- Related Standard as QCS 2014 & NEMA VE-1
- Rung types : 45mmx12mm channel
- Rungs alternatively reversed as standard at 300mm max. Centres.
- Available in mild steel Hot dip galvanised, Aluminium, Powder Coating, Stainless steel & Epoxy coating.
- Complies with BS EN 61537:2000



## Identification and Selection :

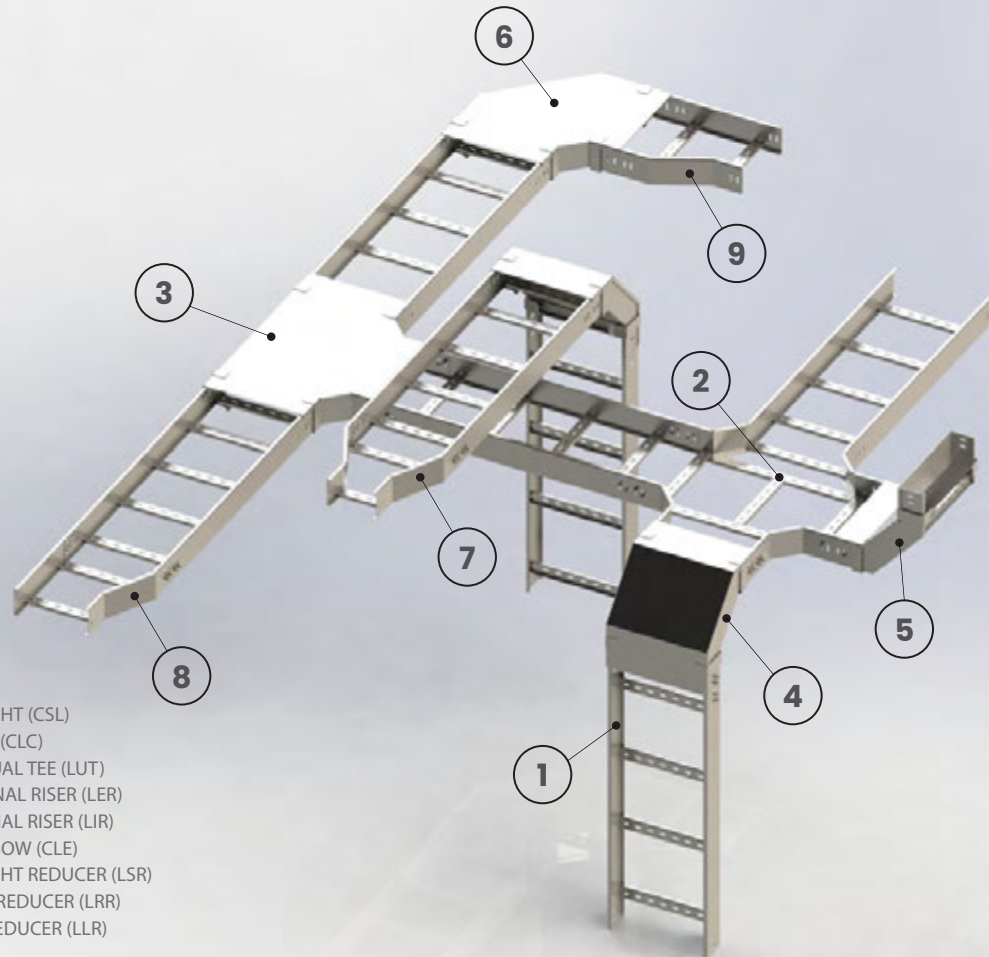
Code Detail

**HDG CLS 400X100MM 2T 3MTR**

3	MATERIAL LENGTH (MTR)
2	MATERIAL THICKNESS (MM)
4	DEPTH (MM)
00	WIDTH (MM)
CLS	CABLE LADDER STRAIGHT
HDG	(HDG) HOT DIP GALVANISED
	(PG) PRE-GALVANISED
	(AL) ALUMINIUM
	(SS) STAINLESS STEEL GRADE 316
	(PC) POWDER COATED

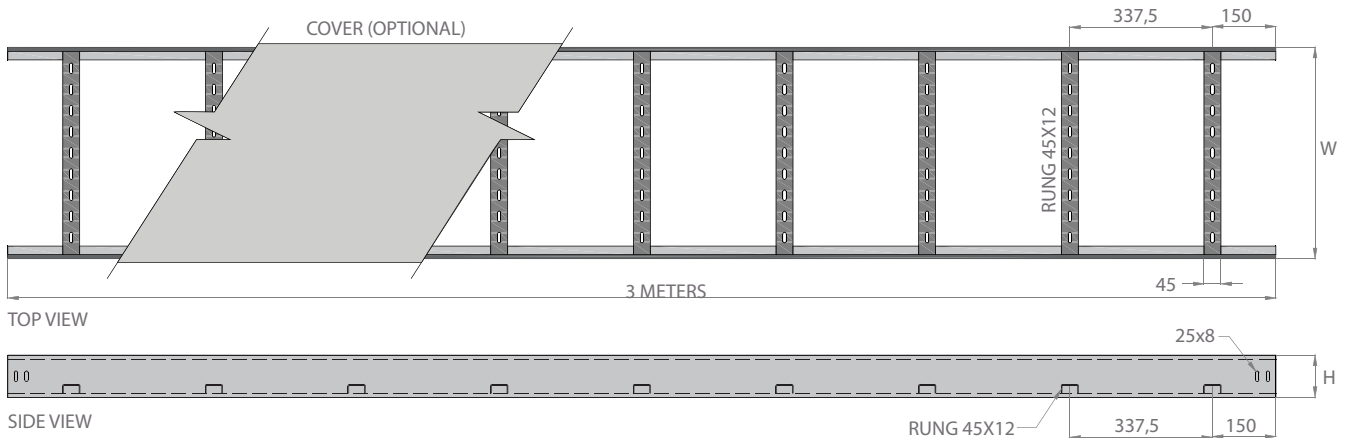


# ADVANCE LINE CABLE LADDER



1. CABLE LADDER STRAIGHT (CSL)
2. CABLE LADDER CROSS (CLC)
3. CABLE LADDER UNEQUAL TEE (LUT)
4. CABLE LADDER EXTERNAL RISER (LER)
5. CABLE LADDER INTERNAL RISER (LIR)
6. CABLE LADDER 90° ELBOW (CLE)
7. CABLE LADDER STRAIGHT REDUCER (LSR)
8. CABLE LADDER RIGHT REDUCER (LRR)
9. CABLE LADDER LEFT REDUCER (LLR)

## Cable Ladder Straight (CLS)

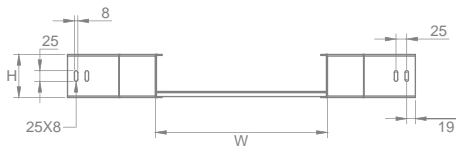
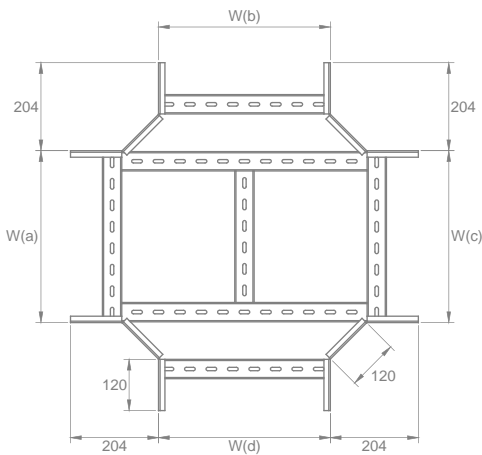
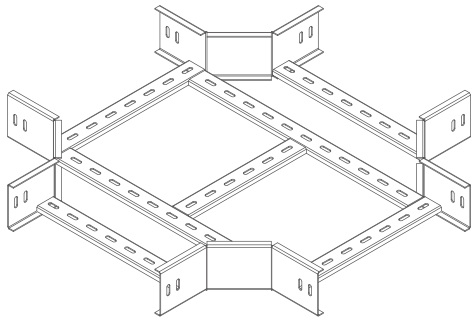


Width X Depth (mm)	Part No.	Thick-ness	Description
100X100	HDG CLS 100X100MM 1.5T 3MTR	1.5	HDG CABLE LADDER STRAIGHT 100(W) X 100(H) 1.5(T) 3(MRT) LENGHT
150X100	HDG CLS 150X100MM 1.5T 3MTR	1.5	HDG CABLE LADDER STRAIGHT 150(W) X 100(H) 1.5(T) 3(MRT) LENGHT
200X100	HDG CLS 200X100MM 1.5T 3MTR	1.5	HDG CABLE LADDER STRAIGHT 200(W) X 100(H) 1.5(T) 3(MRT) LENGHT
300X100	HDG CLS 300X100MM 2T 3MTR	2	HDG CABLE LADDER STRAIGHT 300(W) X 100(H) 2(T) 3(MRT) LENGHT
400X100	HDG CLS 400X100MM 2T 3MTR	2	HDG CABLE LADDER STRAIGHT 400(W) X 100(H) 2(T) 3(MRT) LENGHT
600X100	HDG CLS 600X100MM 2T 3MTR	2	HDG CABLE LADDER STRAIGHT 600(W) X 100(H) 2(T) 3(MRT) LENGHT
900X100	HDG CLS 900X100MM 2T 3MTR	2	HDG CABLE LADDER STRAIGHT 900(W) X 100(H) 2(T) 3(MRT) LENGHT
1200X100	HDG CLS 1200X100MM 2T 3MTR	2	HDG CABLE LADDER STRAIGHT 1200(W) X 100(H) 2(T) 3(MRT) LENGHT

\*FINISH: HOT DIP GALVANISED (HDG), PRE-GALVANISED (PG), STAINLESS STEEL GRADE 316 (SS), ALUMINIUM (AL).



HDG CABLE LADDER CROSS  
(400a\*400b\*400c\*400d)MM 100H 1.5T



**NOTE:**  
To Install cable ladder accessories use couplers and screw sets M6 or M8

**MATERIAL:**  
HDG - Hot Dip Galvanised

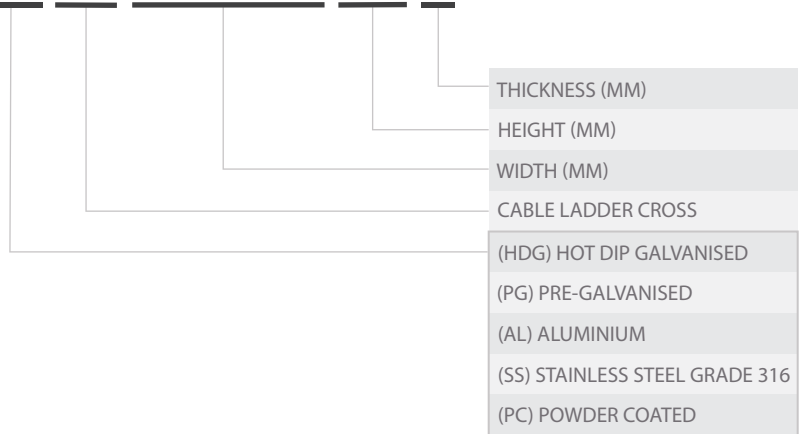
**AVAILABLE FINISHES:**  
PG - Pre Galvanised  
AL - Aluminium  
SS - Stainless Steel Grade 316  
PC - Powder Coated

## CABLE LADDER ACCESSORIES

IDENTIFICATION AND SELECTION :

Code Detail

**HDG CLC 400\*400MM 100H 2T**



## CABLE LADDER CROSS (CLC)

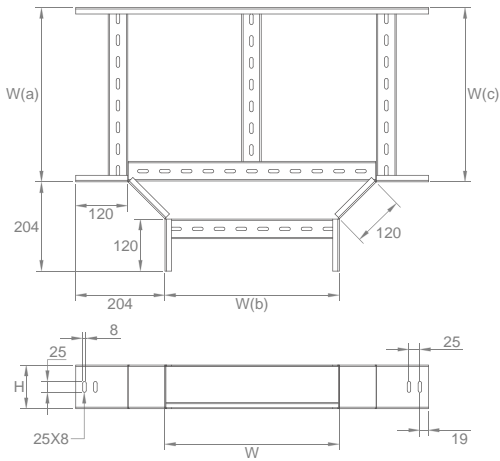
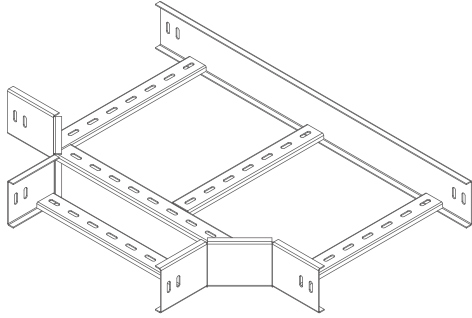
Width X Height (mm)	Part No.	Thick-ness	Description
100x100	HDG CLC 100X100MM 100H 1.5T	1.5	HDG CABLE LADDER CROSS 100X100(W) 100(H) 1.5(T)
150x100	HDG CLC 150X150MM 100H 1.5T	1.5	HDG CABLE LADDER CROSS 150X150(W) 100(H) 1.5(T)
200x100	HDG CLC 200X200MM 100H 1.5T	1.5	HDG CABLE LADDER CROSS 200X200(W) 100(H) 1.5(T)
300x100	HDG CLC 300X300MM 100H 2T	2	HDG CABLE LADDER CROSS 300X300(W) 100(H) 2(T)
400x100	HDG CLC 400X400MM 100H 2T	2	HDG CABLE LADDER CROSS 400X400(W) 100(H) 2(T)
600x100	HDG CLC 600X600MM 100H 2T	2	HDG CABLE LADDER CROSS 600X600(W) 100(H) 2(T)
900x100	HDG CLC 900X900MM 100H 2T	2	HDG CABLE LADDER CROSS 900X900(W) 100(H) 2(T)
1200x100	HDG CLC 1200X1200MM 100H 2T	2	HDG CABLE LADDER CROSS 1200X1200(W) 100(H) 2(T)



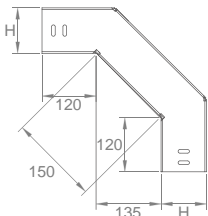
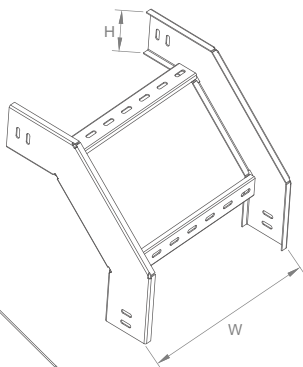


# ADVANCE LINE CABLE LADDER

HDG CABLE LADDER UNEQUAL TEE  
(400a\*300b\*400c)MM 100H 1.5T



HDG CABLE LADDER EXTERNAL RISER  
400X400MM 100H 1.5T



**NOTE:**

To install cable ladder accessories use couplers and screw sets M6 or M8

**MATERIAL:**

HDG - Hot Dip Galvanised

**AVAILABLE FINISHES:**

PG - Pre Galvanised  
AL - Aluminium  
SS - Stainless Steel Grade 316  
PC - Powder Coated



**CABLE LADDER UNEQUAL TEE (LUT)**

Width X Height (mm)	Part No.	Thick-ness	Description
100x100	HDG LUT 100X100MM 100H 1.5T	1.5	HDG CABLE LADDER UNEQUAL TEE 100X100(W) 100(H) 1.5(T)
150x100	HDG LUT 150X150MM 100H 1.5T	1.5	HDG CABLE LADDER UNEQUAL TEE 150X150(W) 100(H) 1.5(T)
200x100	HDG LUT 200X200MM 100H 1.5T	1.5	HDG CABLE LADDER UNEQUAL TEE 200X200(W) 100(H) 1.5(T)
300x100	HDG LUT 300X300MM 100H 2T	2	HDG CABLE LADDER UNEQUAL TEE 300X300(W) 100(H) 2(T)
400x100	HDG LUT 400X400MM 100H 2T	2	HDG CABLE LADDER UNEQUAL TEE 400X400(W) 100(H) 2(T)
600x100	HDG LUT 600X600MM 100H 2T	2	HDG CABLE LADDER UNEQUAL TEE 600X600(W) 100(H) 2(T)
900x100	HDG LUT 900X900MM 100H 2T	2	HDG CABLE LADDER UNEQUAL TEE 900X900(W) 100(H) 2(T)
1200x100	HDG LUT 1200X1200MM 100H 2T	2	HDG CABLE LADDER UNEQUAL TEE 1200X1200(W) 100(H) 2(T)

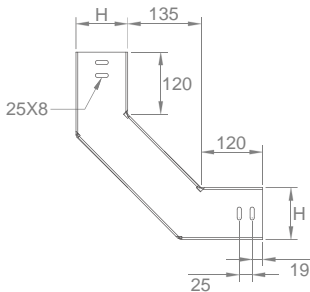
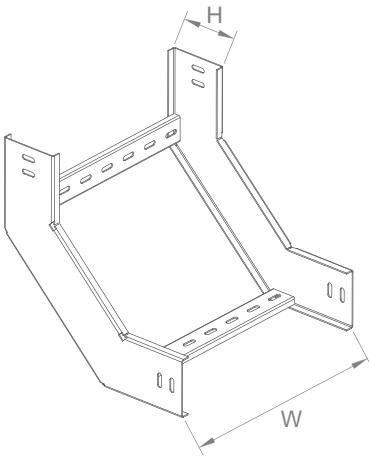


**CABLE LADDER EXTERNAL RISER (LER)**

Width X Height (mm)	Part No.	Thick-ness	Description
100x100	HDG LER 100X100MM 100H 1.5T	1.5	HDG CABLE LADDER EXTERNAL RISER 100X100(W) 100(H) 1.5(T)
150x100	HDG LER 150X150MM 100H 1.5T	1.5	HDG CABLE LADDER EXTERNAL RISER 150X150(W) 100(H) 1.5(T)
200x100	HDG LER 200X200MM 100H 1.5T	1.5	HDG CABLE LADDER EXTERNAL RISER 200X200(W) 100(H) 1.5(T)
300x100	HDG LER 300X300MM 100H 2T	2	HDG CABLE LADDER EXTERNAL RISER 300X300(W) 100(H) 2(T)
400x100	HDG LER 400X400MM 100H 2T	2	HDG CABLE LADDER EXTERNAL RISER 400X400(W) 100(H) 2(T)
600x100	HDG LER 600X600MM 100H 2T	2	HDG CABLE LADDER EXTERNAL RISER 600X600(W) 100(H) 2(T)
900x100	HDG LER 900X900MM 100H 2T	2	HDG CABLE LADDER EXTERNAL RISER 900X900(W) 100(H) 2(T)
1200x100	HDG LER 1200X1200MM 100H 2T	2	HDG CABLE LADDER EXTERNAL RISER 1200X1200(W) 100(H) 2(T)



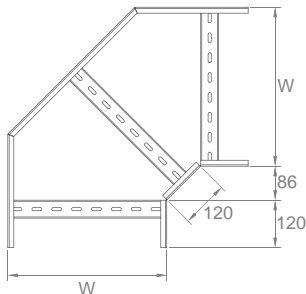
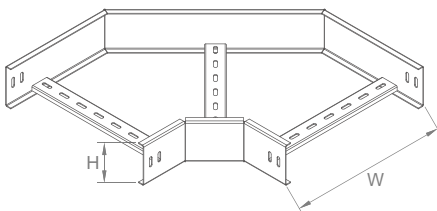
HDG CABLE LADDER INTERNAL RISER  
400X400MM 100H 1.5T



## CABLE LADDER INTERNAL RISER (LIR)

Width X Height (mm)	Part No.	Thick-ness	Description
100x100	HDG LIR 100X100MM 100H 1.5T	1.5	HDG CABLE LADDER INTERNAL RISER 100X100(W) 100(H) 1.5(T)
150x100	HDG LIR 150X150MM 100H 1.5T	1.5	HDG CABLE LADDER INTERNAL RISER 150X150(W) 100(H) 1.5(T)
200x100	HDG LIR 200X200MM 100H 1.5T	1.5	HDG CABLE LADDER INTERNAL RISER 200X200(W) 100(H) 1.5(T)
300x100	HDG LIR 300X300MM 100H 2T	2	HDG CABLE LADDER INTERNAL RISER 300X300(W) 100(H) 2(T)
400x100	HDG LIR 400X400MM 100H 2T	2	HDG CABLE LADDER INTERNAL RISER 400X400(W) 100(H) 2(T)
600x100	HDG LIR 600X600MM 100H 2T	2	HDG CABLE LADDER INTERNAL RISER 600X600(W) 100(H) 2(T)
900x100	HDG LIR 900X900MM 100H 2T	2	HDG CABLE LADDER INTERNAL RISER 900X900(W) 100(H) 2(T)
1200x100	HDG LIR 1200X1200MM 100H 2T	2	HDG CABLE LADDER INTERNAL RISER 1200X1200(W) 100(H) 2(T)

HDG CABLE LADDER 90° ELBOW  
400X400MM 100H 1.5T



## CABLE LADDER 90° ELBOW (CLE)

Width X Height (mm)	Part No.	Thick-ness	Description
100x100	HDG CLE 100X100MM 100H 1.5T	1.5	HDG CABLE LADDER 90° ELBOW 100X100(W) 100(H) 1.5(T)
150x100	HDG CLE 150X150MM 100H 1.5T	1.5	HDG CABLE LADDER 90° ELBOW 150X150(W) 100(H) 1.5(T)
200x100	HDG CLE 200X200MM 100H 1.5T	1.5	HDG CABLE LADDER 90° ELBOW 200X200(W) 100(H) 1.5(T)
300x100	HDG CLE 300X300MM 100H 2T	2	HDG CABLE LADDER 90° ELBOW 300X300(W) 100(H) 2(T)
400x100	HDG CLE 400X400MM 100H 2T	2	HDG CABLE LADDER 90° ELBOW 400X400(W) 100(H) 2(T)
600x100	HDG CLE 600X600MM 100H 2T	2	HDG CABLE LADDER 90° ELBOW 600X600(W) 100(H) 2(T)
900x100	HDG CLE 900X900MM 100H 2T	2	HDG CABLE LADDER 90° ELBOW 900X900(W) 100(H) 2(T)
1200x100	HDG CLE 1200X1200MM 100H 2T	2	HDG CABLE LADDER 90° ELBOW 1200X1200(W) 100(H) 2(T)

**NOTE:**

To Install cable ladder accessories use couplers and screw sets M6 or M8

**MATERIAL:**

HDG - Hot Dip Galvanised

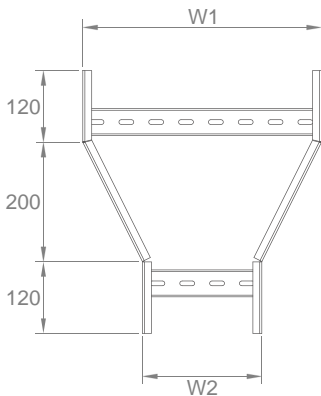
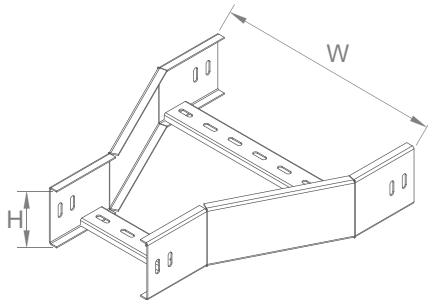
**AVAILABLE FINISHES:**

PG - Pre Galvanised  
AL - Aluminium  
SS - Stainless Steel Grade 316  
PC - Powder Coated



# ADVANCE LINE CABLE LADDER

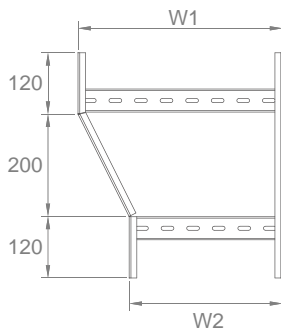
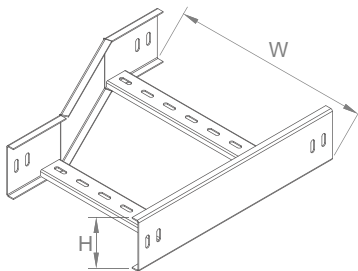
HDG CABLE LADDER STRAIGHT REDUCER  
(400(w1)-300(w2))MM 100H 1.5T



## CABLE LADDER STRAIGHT REDUCER (LSR)

Width X Height (mm)	Part No.	Thick-ness	Description
100x100	HDG LSR 100-50MM 100H 1.5T	1.5	HDG CABLE LADDER STRAIGHT REDUCER 100-50(W) 100(H) 1.5(T)
150x100	HDG LSR 150-100MM 100H 1.5T	1.5	HDG CABLE LADDER STRAIGHT REDUCER 150-100(W) 100(H) 1.5(T)
200x100	HDG LSR 200-100MM 100H 1.5T	1.5	HDG CABLE LADDER STRAIGHT REDUCER 200-100(W) 100(H) 1.5(T)
300x100	HDG LSR 300-200MM 100H 2T	2	HDG CABLE LADDER STRAIGHT REDUCER 300-200(W) 100(H) 2(T)
400x100	HDG LSR 400-300MM 100H 2T	2	HDG CABLE LADDER STRAIGHT REDUCER 400-300(W) 100(H) 2(T)
600x100	HDG LSR 600-400MM 100H 2T	2	HDG CABLE LADDER STRAIGHT REDUCER 600-400(W) 100(H) 2(T)
900x100	HDG LSR 900-600MM 100H 2T	2	HDG CABLE LADDER STRAIGHT REDUCER 900-600(W) 100(H) 2(T)
1200x100	HDG LSR 1200-900MM 100H 2T	2	HDG CABLE LADDER STRAIGHT REDUCER 1200-900(W) 100(H) 2(T)

HDG CABLE LADDER RIGHT REDUCER  
(400(w1)-300(w2))MM 100H 1.5T



## CABLE LADDER RIGHT REDUCER (LRR)

Width X Height (mm)	Part No.	Thick-ness	Description
100x100	HDG LRR 100-50MM 100H 1.5T	1.5	HDG CABLE LADDER RIGHT REDUCER 100-50(W) 100(H) 1.5(T)
150x100	HDG LRR 150-100MM 100H 1.5T	1.5	HDG CABLE LADDER RIGHT REDUCER 150-100(W) 100(H) 1.5(T)
200x100	HDG LRR 200-100MM 100H 1.5T	1.5	HDG CABLE LADDER RIGHT REDUCER 200-100(W) 100(H) 1.5(T)
300x100	HDG LRR 300-200MM 100H 2T	2	HDG CABLE LADDER RIGHT REDUCER 300-200(W) 100(H) 2(T)
400x100	HDG LRR 400-300MM 100H 2T	2	HDG CABLE LADDER RIGHT REDUCER 400-300(W) 100(H) 2(T)
600x100	HDG LRR 600-400MM 100H 2T	2	HDG CABLE LADDER RIGHT REDUCER 600-400(W) 100(H) 2(T)
900x100	HDG LRR 900-600MM 100H 2T	2	HDG CABLE LADDER RIGHT REDUCER 900-600(W) 100(H) 2(T)
1200x100	HDG LRR 1200-900MM 100H 2T	2	HDG CABLE LADDER RIGHT REDUCER 200-900(W) 100(H) 2(T)

**NOTE:**

To Install cable ladder accessories use couplers and screw sets M6 or M8

**MATERIAL:**

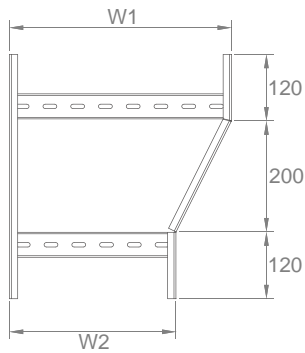
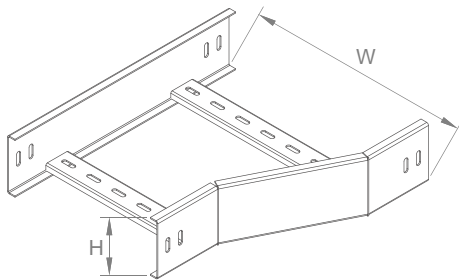
HDG - Hot Dip Galvanised

**AVAILABLE FINISHES:**

PG - Pre Galvanised  
AL - Aluminium  
SS - Stainless Steel Grade 316  
PC - Powder Coated

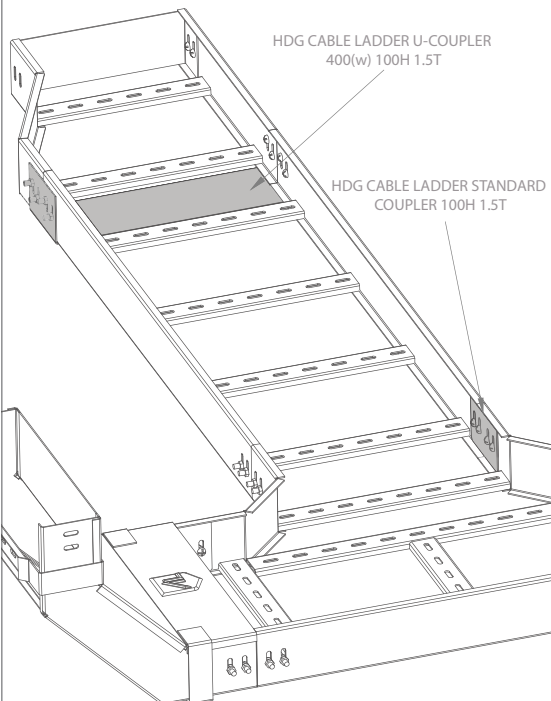


HDG CABLE LADDER LEFT REDUCER  
(400(w1)-300(w2))MM 100H 1.5T



**CABLE LADDER LEFT REDUCER (LLR)**

Width X Height (mm)	Part No.	Thick-ness	Description
100x100	HDG LLR 100-50MM 100H 1.5T	1.5	HDG CABLE LADDER LEFT REDUCER 100-50(W) 100(H) 1.5(T)
150x100	HDG LLR 150-100MM 100H 1.5T	1.5	HDG CABLE LADDER LEFT REDUCER 150-100(W) 100(H) 1.5(T)
200x100	HDG LLR 200-100MM 100H 1.5T	1.5	HDG CABLE LADDER LEFT REDUCER 200-100(W) 100(H) 1.5(T)
300x100	HDG LLR 300-200MM 100H 2T	2	HDG CABLE LADDER LEFT REDUCER 300-200(W) 100(H) 2(T)
400x100	HDG LLR 400-300MM 100H 2T	2	HDG CABLE LADDER LEFT REDUCER 400-300(W) 100(H) 2(T)
600x100	HDG LLR 600-400MM 100H 2T	2	HDG CABLE LADDER LEFT REDUCER 600-400(W) 100(H) 2(T)
900x100	HDG LLR 900-600MM 100H 2T	2	HDG CABLE LADDER LEFT REDUCER 900-600(W) 100(H) 2(T)
1200x100	HDG LLR 1200-900MM 100H 2T	2	HDG CABLE LADDER LEFT REDUCER 1200-900(W) 100(H) 2(T)



HDG CABLE LADDER U-COUPLER  
400(w) 100H 1.5T

HDG CABLE LADDER STANDARD  
COUPLER 100H 1.5T



**STANDARD COUPLER**



**U-COUPLER**

**NOTE:**

To Install cable ladder accessories use couplers and screw sets M6 or M8

**MATERIAL:**

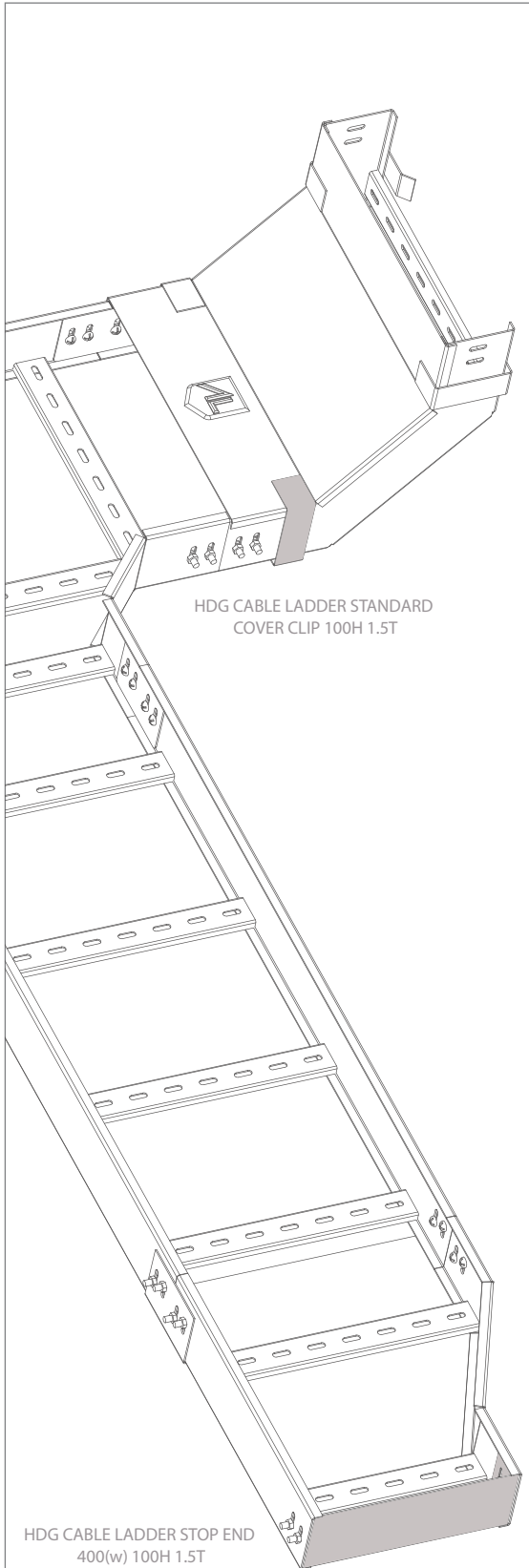
HDG - Hot Dip Galvanised

**AVAILABLE FINISHES:**

- PG - Pre Galvanised
- AL - Aluminium
- SS - Stainless Steel Grade 316
- PC - Powder Coated



# ADVANCE LINE CABLE LADDER



HDG CABLE LADDER STANDARD  
COVER CLIP 100H 1.5T

HDG CABLE LADDER STOP END  
400(w) 100H 1.5T

**NOTE:**

To Install cable ladder accessories use couplers and screw sets M6 or M8

**MATERIAL:**

HDG - Hot Dip Galvanised

**AVAILABLE FINISHES:**

PG - Pre Galvanised  
AL - Aluminium  
SS - Stainless Steel Grade 316  
PC - Powder Coated



**STANDARD COVER CLIP**



**STOP END (BLIND END)**

**Bonding Jumper**  
**AL-BJ100**

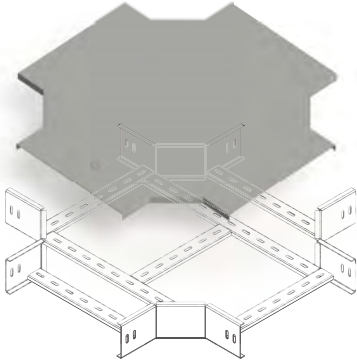


**length: 120mm**

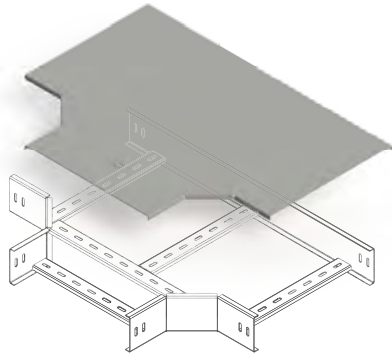
SPECIAL ORDER FABRICATION FOR ACCESSORIES AND CONNECTORS  
ARE AVAILABLE UPON REQUEST.



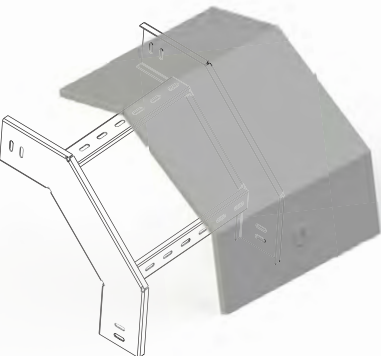
HDG CABLE LADDER CROSS COVER  
400MM 1.5T



HDG CABLE LADDER EQUAL TEE COVER  
400MM 1.5T



HDG CABLE LADDER EXTERNAL RISER-DOWN COVER  
400MM 1.5T



## CABLE LADDER CROSS COVER (LCC)

Width X Height (mm)	Part No.	Thick-ness	Description
100	HDG LCC 100MM 1.5T	1.5	HDG CABLE LADDER CROSS COVER 100(W) 1.5(T)
150	HDG LCC 150MM 1.5T	1.5	HDG CABLE LADDER CROSS COVER 150(W) 1.5(T)
200	HDG LCC 200MM 1.5T	1.5	HDG CABLE LADDER CROSS COVER 200(W) 1.5(T)
300	HDG LCC 300MM 2T	2	HDG CABLE LADDER CROSS COVER 300(W) 2(T)
400	HDG LCC 400MM 2T	2	HDG CABLE LADDER CROSS COVER 400(W) 2(T)
600	HDG LCC 600MM 2T	2	HDG CABLE LADDER CROSS COVER 600(W) 2(T)
900	HDG LCC 900MM 2T	2	HDG CABLE LADDER CROSS COVER 900(W) 2(T)
1200	HDG LCC 1200MM 2T	2	HDG CABLE LADDER CROSS COVER 1200(W) 2(T)

## CABLE LADDER EQUAL TEE COVER (LETC)

Width X Height (mm)	Part No.	Thick-ness	Description
100	HDG LETC 100MM 1.5T	1.5	HDG CABLE LADDER EQUAL TEE COVER 100(W) 1.5(T)
150	HDG LETC 150MM 1.5T	1.5	HDG CABLE LADDER EQUAL TEE COVER 150(W) 1.5(T)
200	HDG LETC 200MM 1.5T	1.5	HDG CABLE LADDER EQUAL TEE COVER 200(W) 1.5(T)
300	HDG LETC 300MM 2T	2	HDG CABLE LADDER EQUAL TEE COVER 300(W) 2(T)
400	HDG LETC 400MM 2T	2	HDG CABLE LADDER EQUAL TEE COVER 400(W) 2(T)
600	HDG LETC 600MM 2T	2	HDG CABLE LADDER EQUAL TEE COVER 600(W) 2(T)
900	HDG LETC 900MM 2T	2	HDG CABLE LADDER EQUAL TEE COVER 900(W) 2(T)
1200	HDG LETC 1200MM 2T	2	HDG CABLE LADDER EQUAL TEE COVER 1200(W) 2(T)

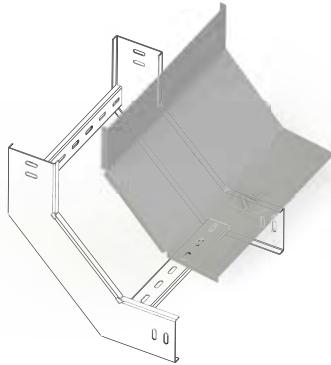
## CABLE LADDER EXTERNAL RISER-DOWN COVER (LETC)

Width X Height (mm)	Part No.	Thick-ness	Description
100	HDG LETC 100MM 1.5T	1.5	HDG CABLE LADDER EXTERNAL RISER COVER 100(W) 1.5(T)
150	HDG LETC 150MM 1.5T	1.5	HDG CABLE LADDER EXTERNAL RISER COVER 150(W) 1.5(T)
200	HDG LETC 200MM 1.5T	1.5	HDG CABLE LADDER EXTERNAL RISER COVER 200(W) 1.5(T)
300	HDG LETC 300MM 2T	2	HDG CABLE LADDER EXTERNAL RISER COVER 300(W) 2(T)
400	HDG LETC 400MM 2T	2	HDG CABLE LADDER EXTERNAL RISER COVER 400(W) 2(T)
600	HDG LETC 600MM 2T	2	HDG CABLE LADDER EXTERNAL RISER COVER 600(W) 2(T)
900	HDG LETC 900MM 2T	2	HDG CABLE LADDER EXTERNAL RISER COVER 900(W) 2(T)
1200	HDG LETC 1200MM 2T	2	HDG CABLE LADDER EXTERNAL RISER COVER 1200(W) 2(T)

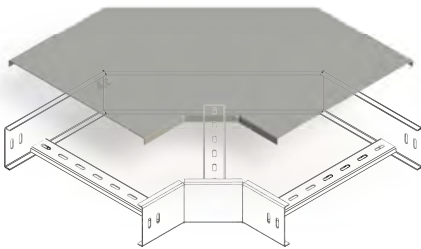


# ADVANCE LINE CABLE LADDER

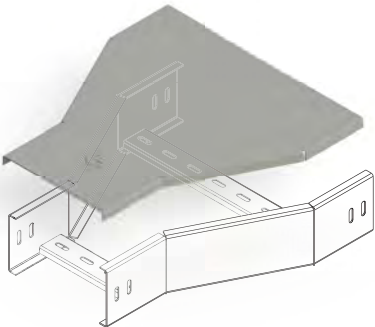
HDG CABLE LADDER INTERNAL RISER-UP COVER  
400MM 1.5T



HDG CABLE LADDER 90° ELBOW COVER  
400MM 1.5T



HDG CABLE LADDER STRAIGHT REDUCER COVER  
400-300MM 1.5T



## CABLE LADDER INTERNAL RISER-UP COVER (LIRC)

Width X Height (mm)	Part No.	Thick-ness	Description
100	HDG LIRC 100MM 1.5T	1.5	HDG CABLE LADDER INTERNAL RISER COVER 100(W) 1.5(T)
150	HDG LIRC 150MM 1.5T	1.5	HDG CABLE LADDER INTERNAL RISER COVER 150(W) 1.5(T)
200	HDG LIRC C 200MM 1.5T	1.5	HDG CABLE LADDER INTERNAL RISER COVER 200(W) 1.5(T)
300	HDG LIRC 300MM 2T	2	HDG CABLE LADDER INTERNAL RISER COVER 300(W) 2(T)
400	HDG LIRC 400MM 2T	2	HDG CABLE LADDER INTERNAL RISER COVER 400(W) 2(T)
600	HDG LIRC 600MM 2T	2	HDG CABLE LADDER INTERNAL RISER COVER 600(W) 2(T)
900	HDG LIRC 900MM 2T	2	HDG CABLE LADDER INTERNAL RISER COVER 900(W) 2(T)
1200	HDG LIRC 1200MM 2T	2	HDG CABLE LADDER INTERNAL RISER COVER 1200(W) 2(T)

## CABLE LADDER 90° ELBOW COVER (LEC)

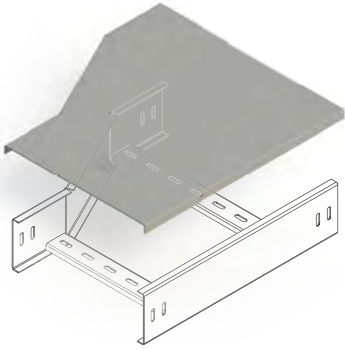
Width X Height (mm)	Part No.	Thick-ness	Description
100	HDG LEC 100MM 1.5T	1.5	HDG CABLE LADDER 90° ELBOW COVER 100(W) 1.5(T)
150	HDG LEC 150MM 1.5T	1.5	HDG CABLE LADDER 90° ELBOW COVER 150(W) 1.5(T)
200	HDG LEC 200MM 1.5T	1.5	HDG CABLE LADDER 90° ELBOW COVER 200(W) 1.5(T)
300	HDG LEC 300MM 2T	2	HDG CABLE LADDER 90° ELBOW COVER 300(W) 2(T)
400	HDG LEC 400MM 2T	2	HDG CABLE LADDER 90° ELBOW COVER 400(W) 2(T)
600	HDG LEC 600MM 2T	2	HDG CABLE LADDER 90° ELBOW COVER 600(W) 2(T)
900	HDG LEC 900MM 2T	2	HDG CABLE LADDER 90° ELBOW COVER 900(W) 2(T)
1200	HDG LEC 1200MM 2T	2	HDG CABLE LADDER 90° ELBOW COVER 1200(W) 2(T)

## CABLE LADDER STRAIGHT REDUCER COVER (LSRC)

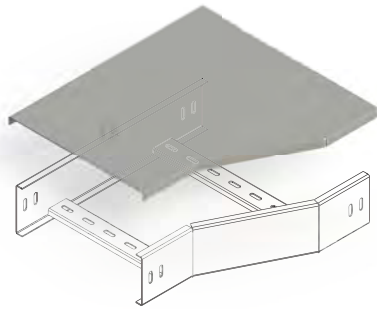
Width X Height (mm)	Part No.	Thick-ness	Description
100	HDG LSRC 100MM 1.5T	1.5	HDG CABLE LADDER STRAIGHT REDUCER COVER 100(W) 1.5(T)
150	HDG LSRC 150MM 1.5T	1.5	HDG CABLE LADDER STRAIGHT REDUCER COVER 150(W) 1.5(T)
200	HDG LSRC 200MM 1.5T	1.5	HDG CABLE LADDER STRAIGHT REDUCER COVER 200(W) 1.5(T)
300	HDG LSRC 300MM 2T	2	HDG CABLE LADDER STRAIGHT REDUCER COVER 300(W) 2(T)
400	HDG LSRC 400MM 2T	2	HDG CABLE LADDER STRAIGHT REDUCER COVER 400(W) 2(T)
600	HDG LSRC 600MM 2T	2	HDG CABLE LADDER STRAIGHT REDUCER COVER 600(W) 2(T)
900	HDG LSRC 900MM 2T	2	HDG CABLE LADDER STRAIGHT REDUCER COVER 900(W) 2(T)
1200	HDG LSRC 1200MM 2T	2	HDG CABLE LADDER STRAIGHT REDUCER COVER 1200(W) 2(T)



HDG CABLE LADDER LEFT REDUCER COVER  
400-300MM 1.5T



HDG CABLE LADDER RIGHT REDUCER COVER  
400-300MM 1.5T

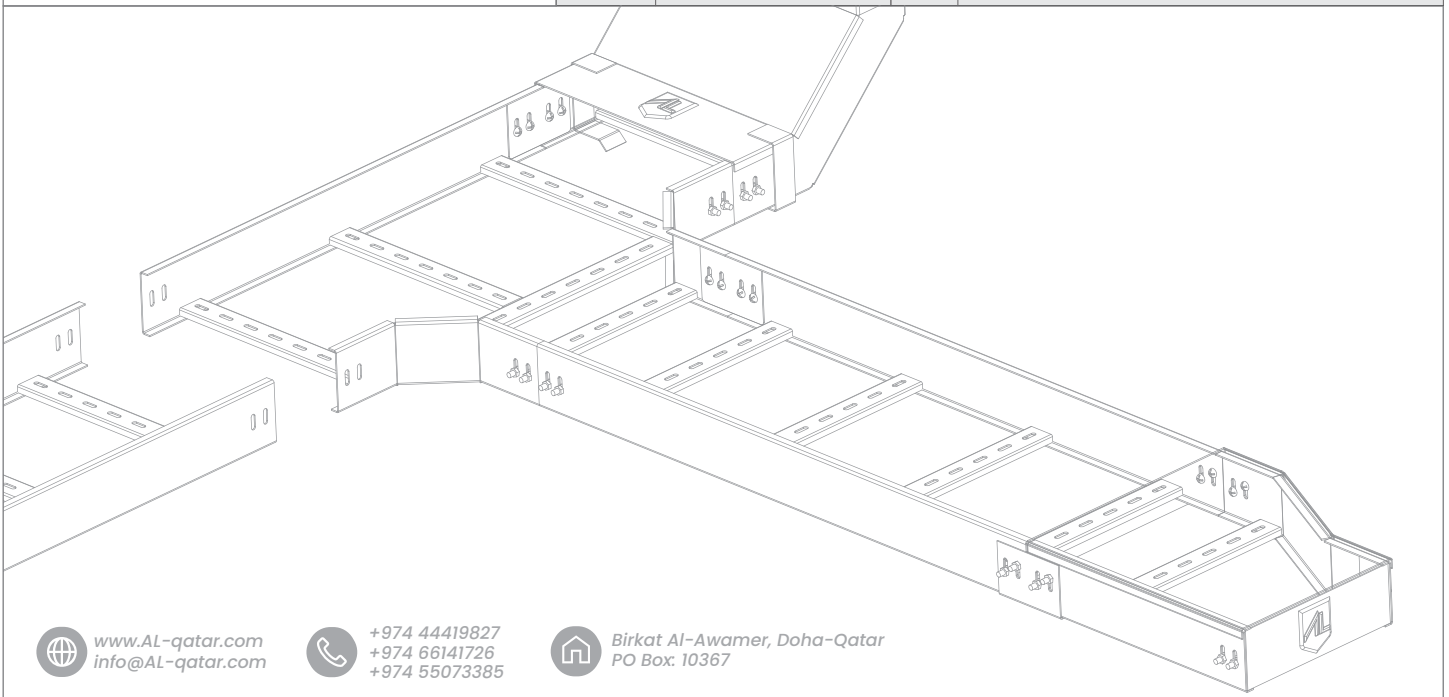


## CABLE LADDER LEFT REDUCER COVER (LLRC)

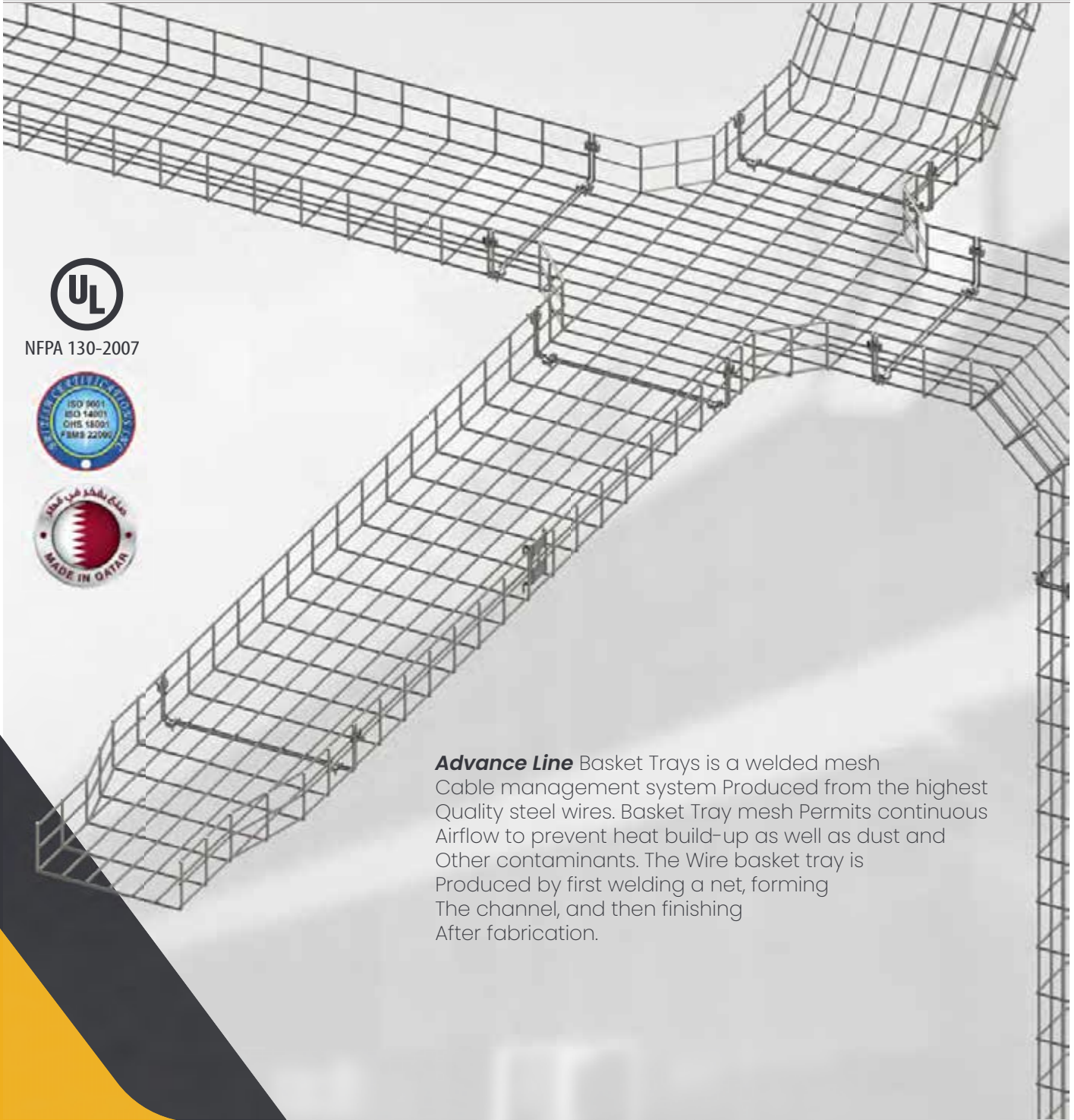
Width X Height (mm)	Part No.	Thick-ness	Description
100	HDG LLRC 100MM 1.5T	1.5	HDG CABLE LADDER LEFT REDUCER COVER 100(W) 1.5(T)
150	HDG LLRC 150MM 1.5T	1.5	HDG CABLE LADDER LEFT REDUCER COVER 150(W) 1.5(T)
200	HDG LLRC C 200MM 1.5T	1.5	HDG CABLE LADDER LEFT REDUCER COVER 200(W) 1.5(T)
300	HDG LLRC 300MM 2T	2	HDG CABLE LADDER LEFT REDUCER COVER 300(W) 2(T)
400	HDG LLRC 400MM 2T	2	HDG CABLE LADDER LEFT REDUCER COVER 400(W) 2(T)
600	HDG LLRC 600MM 2T	2	HDG CABLE LADDER LEFT REDUCER COVER 600(W) 2(T)
900	HDG LLRC 900MM 2T	2	HDG CABLE LADDER LEFT REDUCER COVER 900(W) 2(T)
1200	HDG LLRC 1200MM 2T	2	HDG CABLE LADDER LEFT REDUCER COVER 1200(W) 2(T)

## CABLE LADDER RIGHT REDUCER COVER (LRRC)

Width X Height (mm)	Part No.	Thick-ness	Description
100	HDG LRRC 100MM 1.5T	1.5	HDG CABLE LADDER RIGHT REDUCER COVER 100(W) 1.5(T)
150	HDG LRRC 150MM 1.5T	1.5	HDG CABLE LADDER RIGHT REDUCER COVER 150(W) 1.5(T)
200	HDG LRRC 200MM 1.5T	1.5	HDG CABLE LADDER RIGHT REDUCER COVER 200(W) 1.5(T)
300	HDG LRRC 300MM 2T	2	HDG CABLE LADDER RIGHT REDUCER COVER 300(W) 2(T)
400	HDG LRRC 400MM 2T	2	HDG CABLE LADDER RIGHT REDUCER COVER 400(W) 2(T)
600	HDG LRRC 600MM 2T	2	HDG CABLE LADDER RIGHT REDUCER COVER 600(W) 2(T)
900	HDG LRRC 900MM 2T	2	HDG CABLE LADDER RIGHT REDUCER COVER 900(W) 2(T)
1200	HDG LRRC 1200MM 2T	2	HDG CABLE LADDER RIGHT REDUCER COVER 1200(W) 2(T)







NFPA 130-2007



**Advance Line** Basket Trays is a welded mesh Cable management system Produced from the highest Quality steel wires. Basket Tray mesh Permits continuous Airflow to prevent heat build-up as well as dust and Other contaminants. The Wire basket tray is Produced by first welding a net, forming The channel, and then finishing After fabrication.

# 04

# BASKET TRAY



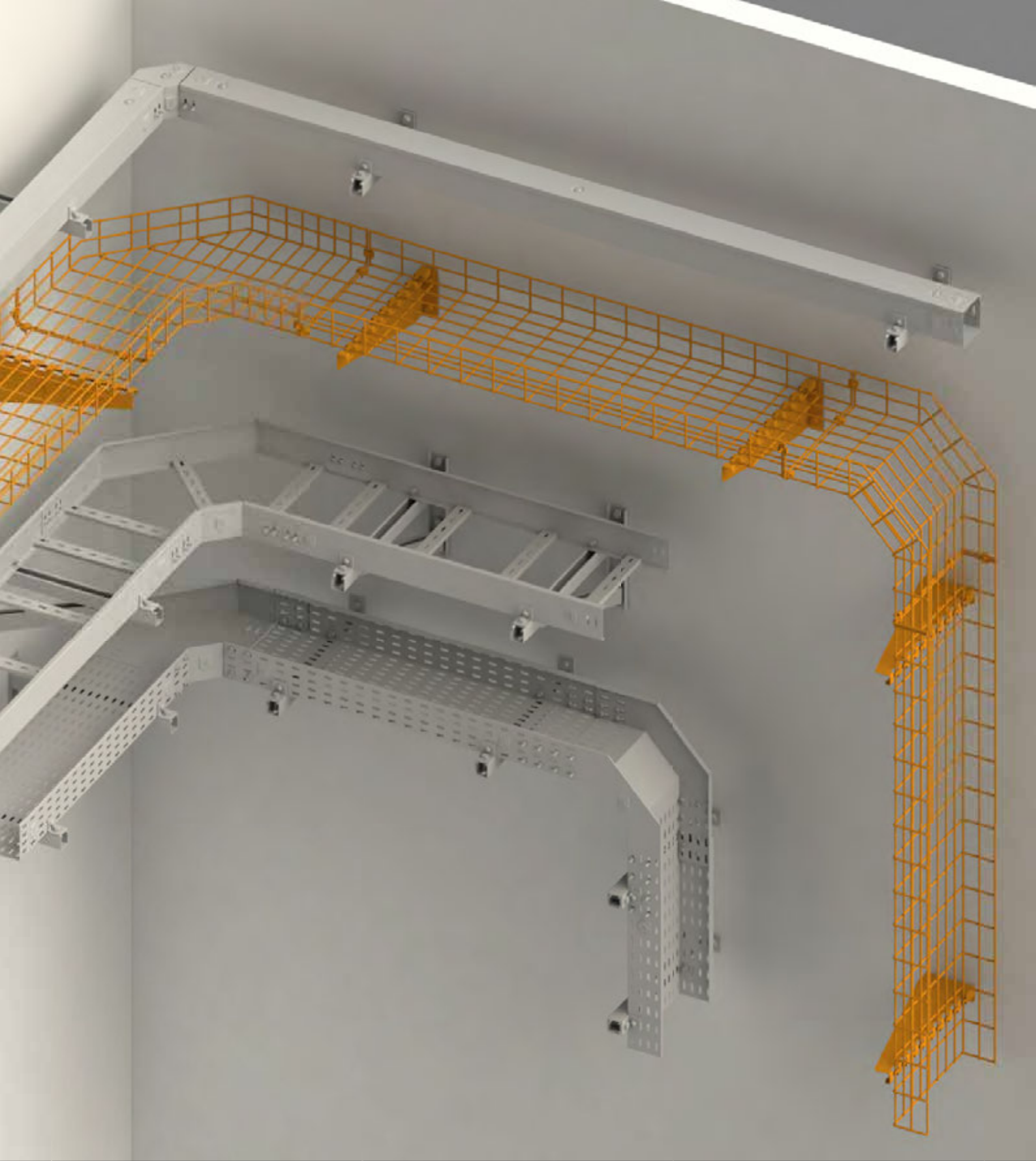
[www.AL-qatar.com](http://www.AL-qatar.com)  
[info@AL-qatar.com](mailto:info@AL-qatar.com)



+974 44419827  
+974 66141726  
+974 55073385



Birkat Al-Awamer, Doha-Qatar  
PO Box: 10367



**ADVANCE LINE**  
CABLE MANAGEMENT SYSTEM L.L.C



Basket Tray Systems and accessories from **Advance Line** are manufactured in compliance with:

IEC 61537 : International Electrotechnical Commission  
(Cable management - Cable tray systems and cable ladder systems)

NEMA VE 1 : National Electrical Manufacturers Association.  
2009 (Metal Cable Tray Systems)

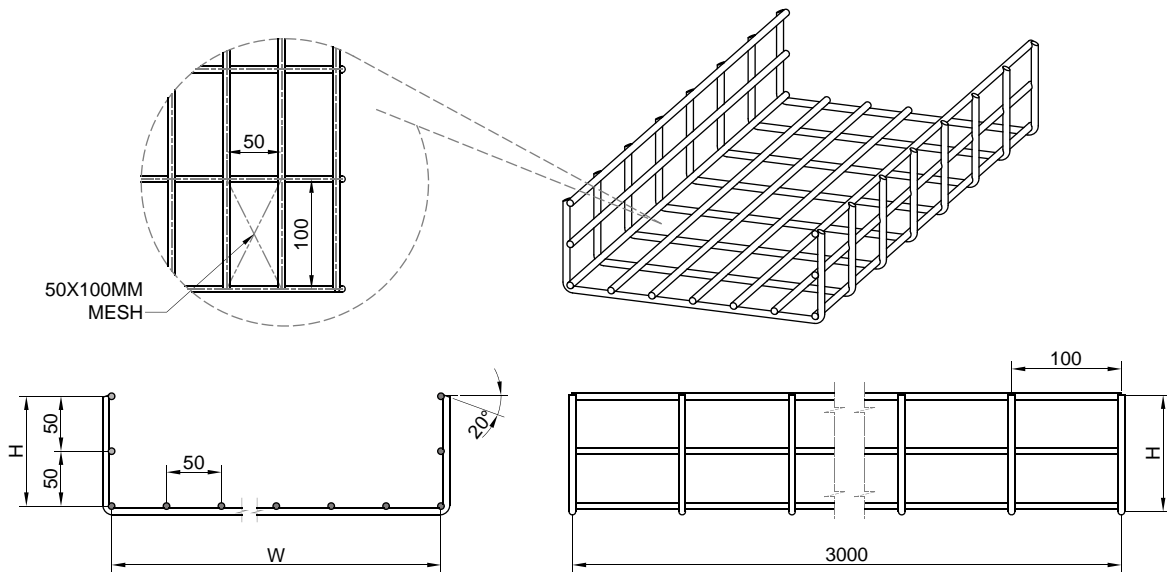
NEMA VE 2 : National Electrical Manufacturers Association.  
2006 (Metal Cable Tray Installation Guidelines)

NEC (ANSI : National Electric Code  
/ NFPA 70) (Metal Cable Tray Guide Lines)

### Applications:

Long, straight runs requiring connection of Many tray lengths. Network cabling, wiring Closets, fiber-to-desktop applications and More, this basket tray profile can be installed in Suspended ceiling plenum areas and under Computer room flooring. It is often used to Route cables on main runs.

HEIGHT : 55MM, 100MM AND 150MM  
WIRE MESH : 4MMØ, 5MMØ AND 6MMØ  
MATERIAL : HDG HOT-DIP GALVANIZED



### Identification and Selection :

Code Detail

**HDG CLS 400X100MM 4D 3MTR**

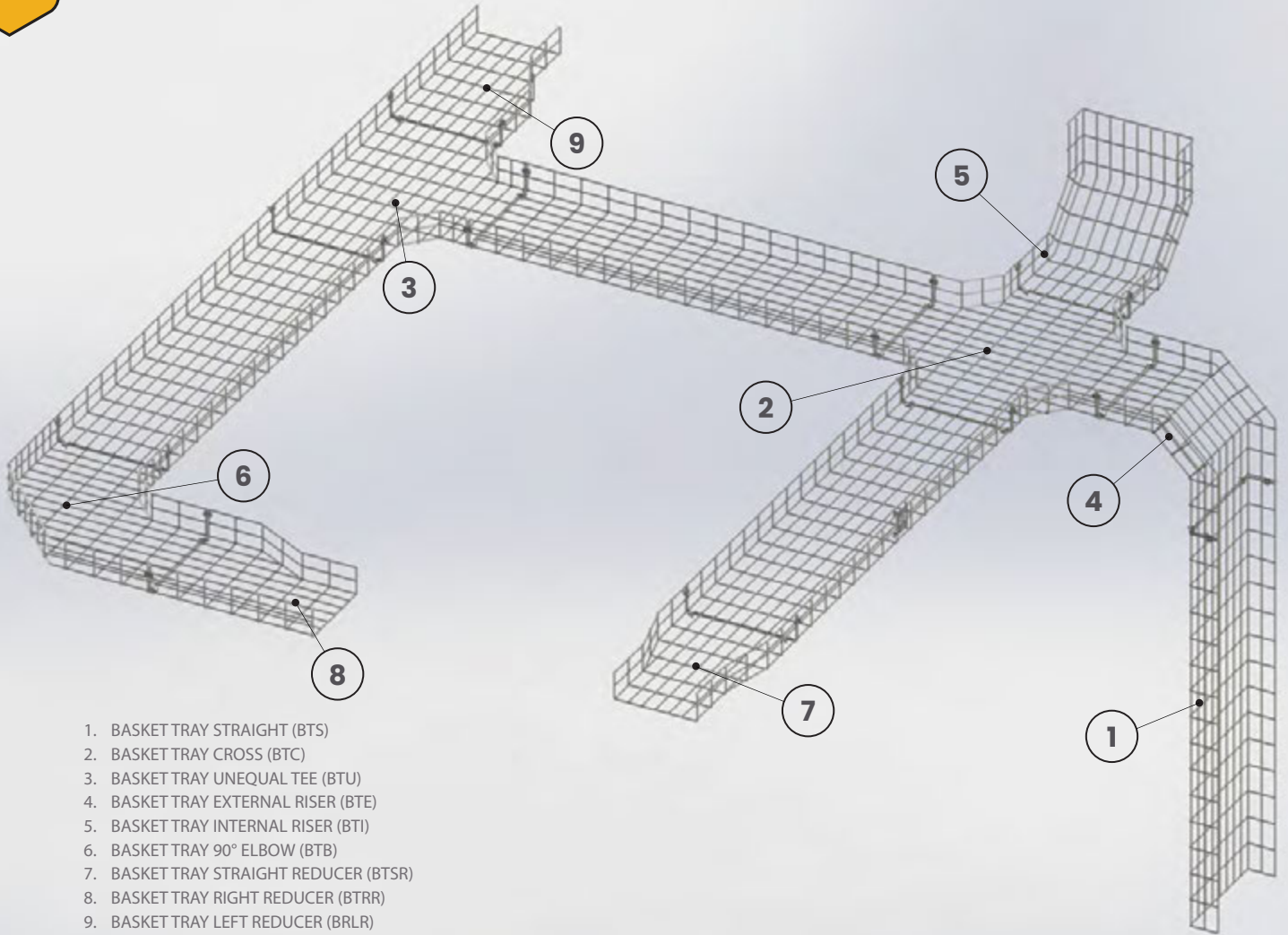
MATERIAL LENGTH (MRT)
DIAMETER (MM)
DEPTH (MM)
WIDTH (MM)
BASKET TRAY STRAIGHT
(HDG) HOT DIP GALVANISED
(PG) PRE-GALVANISED
(SS) STAINLESS STEEL GRADE 316

### Features:

- Higher profile – Enhances loading capacity, Increases strength for more demanding Applications and prevents cable fallout
- User-friendly – Installs in less time than Conventional tray with no complex layouts, A minimum of tools and less wasted material
- Wide range of tray widths - 150, 400, 500 and 600mm widths accommodate as many or As few cables as required
- 50x100mm mesh size - Allows cables to be Routed in or out without cutting wires
- Open design – Continuous airflow prevents Overheating and the build-up of dust and Contaminants
- Chamfered side edge – Minimizes risk of injury for installer and damage to cables during Installation

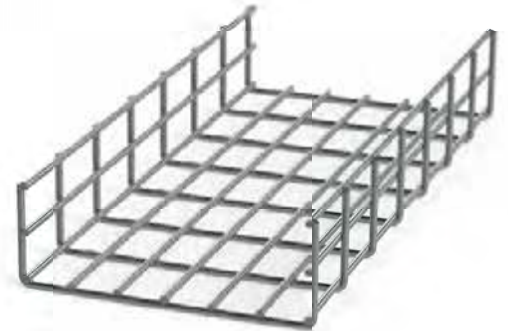
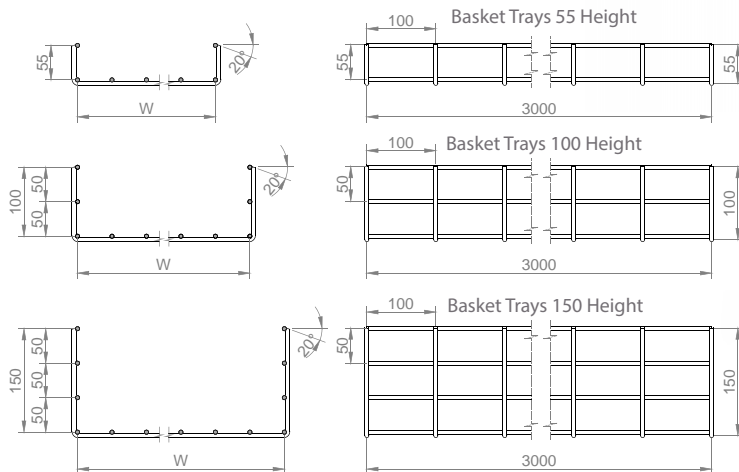


# ADVANCE LINE BASKET TRAY



1. BASKET TRAY STRAIGHT (BTS)
2. BASKET TRAY CROSS (BTC)
3. BASKET TRAY UNEQUAL TEE (BTU)
4. BASKET TRAY EXTERNAL RISER (BTE)
5. BASKET TRAY INTERNAL RISER (BTI)
6. BASKET TRAY 90° ELBOW (BTB)
7. BASKET TRAY STRAIGHT REDUCER (BTSR)
8. BASKET TRAY RIGHT REDUCER (BTRR)
9. BASKET TRAY LEFT REDUCER (BRLR)

## BASKET TRAY STRAIGHT (BTS)



Width X Depth (mm)	Part No.	Thickness Ø	Description
100X55	HDG BTS 100X55MM 4D 3MTR	4MMØ	HDG BASKET TRAY STRAIGHT 100(W) X 55(H) 4(D) 3(MRT) LENGHT
150X55	HDG BTS 150X55MM 4D 3MTR	4MMØ	HDG BASKET TRAY STRAIGHT 150(W) X 55(H) 4(D) 3(MRT) LENGHT
200X55	HDG BTS 200X55MM 4D 3MTR	4MMØ	HDG BASKET TRAY STRAIGHT 200(W) X 55(H) 4(D) 3(MRT) LENGHT
300X100	HDG BTS 300X100MM 5D 3MTR	5MMØ	HDG BASKET TRAY STRAIGHT 300(W) X 100(H) 5(D) 3(MRT) LENGHT
400X100	HDG BTS 400X100MM 5D 3MTR	5MMØ	HDG BASKET TRAY STRAIGHT 400(W) X 100(H) 5(D) 3(MRT) LENGHT
500X150	HDG BTS 500X150MM 6D 3MTR	6MMØ	HDG BASKET TRAY STRAIGHT 500(W) X 150(H) 6(D) 3(MRT) LENGHT
600X150	HDG BTS 600X150MM 6D 3MTR	6MMØ	HDG BASKET TRAY STRAIGHT 600(W) X 150(H) 6(D) 3(MRT) LENGHT

\*FINISH: HOT DIP GALVANISED (HDG), PRE-GALVANISED (PG), STAINLESS STEEL GRADE 316 (SS)



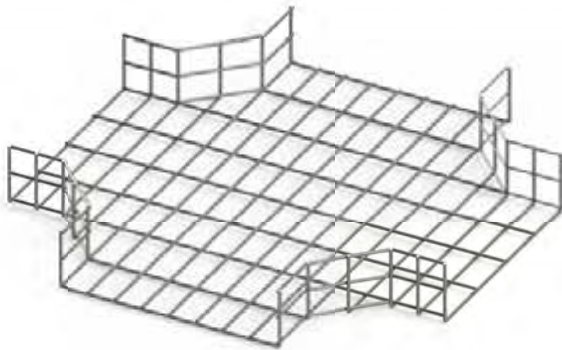
## BASKET TRAY ACCESSORIES

IDENTIFICATION AND SELECTION :

Code Detail

**HDG BTC 400\*400MM 100H 5D**

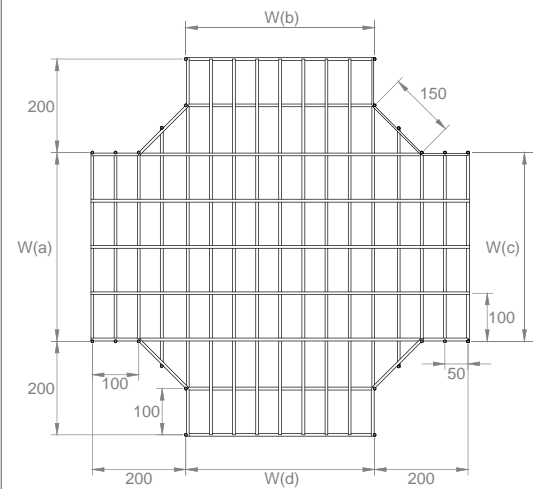
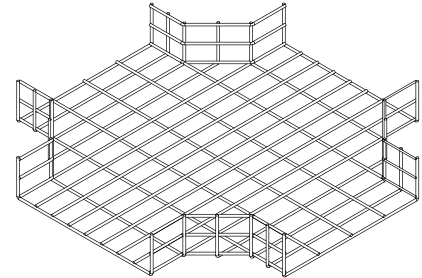
DIAMETER (MM)
HEIGHT (MM)
WIDTH (MM)
BASKET TRAY CROSS
(HDG) HOT DIP GALVANISED
(PG) PRE-GALVANISED
(SS) STAINLESS STEEL GRADE 316



## BASKET TRAY CROSS (BTC)

Width X Height (mm)	Part No.	Thickness Ø	Description
100x55	HDG BTC 100X55MMH 4D	4MMØ	HDG BASKET TRAY CROSS 100MM W(abcd) X 55(H) 4(D)
150x55	HDG BTC 150X55MMH 4D	4MMØ	HDG BASKET TRAY CROSS 150MM W(abcd) X 55(H) 4(D)
200x55	HDG BTC 200X55MMH 4D	4MMØ	HDG BASKET TRAY CROSS 200MM W(abcd) X 55(H) 4(D)
300x100	HDG BTC 300X100MMH 5D	5MMØ	HDG BASKET TRAY CROSS 300MM W(abcd) X 100(H) 5(D)
400x100	HDG BTC 400X100MMH 5D	5MMØ	HDG BASKET TRAY CROSS 400MM W(abcd) X 100(H) 5(D)
500x150	HDG BTC 500X150MMH 6D	6MMØ	HDG BASKET TRAY CROSS 500MM W(abcd) X 150(H) 6(D)
600x150	HDG BTC 600X150MMH 6D	6MMØ	HDG BASKET TRAY CROSS 600MM W(abcd) X 150(H) 6(D)

HDG BASKET TRAY CROSS  
(400a\*400b\*400c\*400d)MM 100H 5D



**NOTE:**

To Install basket tray accessories use couplers with bolts and nuts M6

**MATERIAL:**

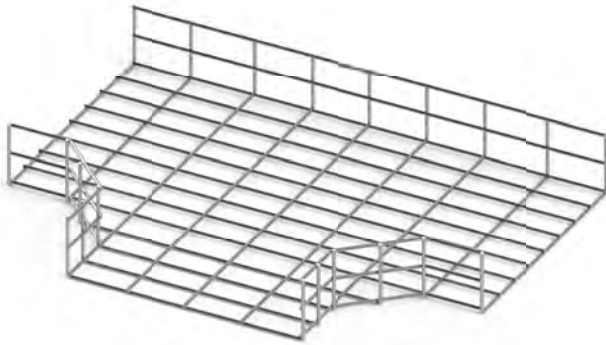
HDG - Hot Dip Galvanised

**AVAILABLE FINISHES:**

PG - Pre Galvanised  
SS - Stainless Steel Grade 316



# ADVANCE LINE BASKET TRAY



## BASKET TRAY UNEQUAL/EQUAL TEE (BTU)

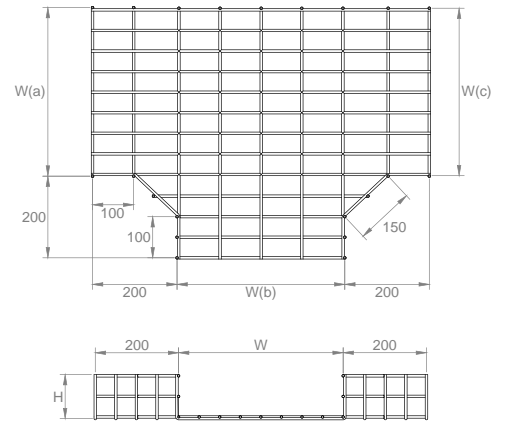
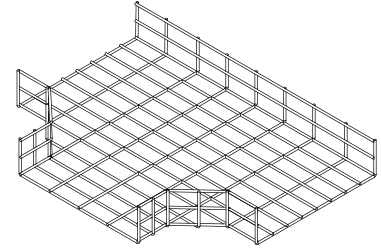
Width X Height (mm)	Part No.	Thickness Ø	Description
100x55	HDG BTU 100X55MMH 4D	4MMØ	HDG BASKET TRAY EQUAL TEE 100MM W(abc) X 55(H) 4(D)
150x55	HDG BTU 150X55MMH 4D	4MMØ	HDG BASKET TRAY EQUAL TEE 150MM W(abc) X 55(H) 4(D)
200x55	HDG BTU 200X55MMH 4D	4MMØ	HDG BASKET TRAY EQUAL TEE 200MM W(abc) X 55(H) 4(D)
300x100	HDG BTU 300X100MMH 5D	5MMØ	HDG BASKET TRAY EQUAL TEE 300MM W(abc) X 100(H) 5(D)
400x100	HDG BTU 400X100MMH 5D	5MMØ	HDG BASKET TRAY EQUAL TEE 400MM W(abc) X 100(H) 5(D)
500x150	HDG BTU 500X150MMH 6D	6MMØ	HDG BASKET TRAY EQUAL TEE 500MM W(abc) X 150(H) 6(D)
600x150	HDG BTU 600X150MMH 6D	6MMØ	HDG BASKET TRAY EQUAL TEE 600MM W(abc) X 150(H) 6(D)



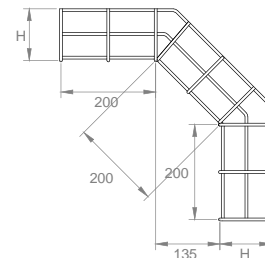
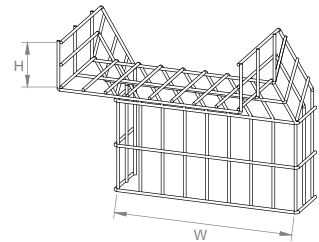
## BASKET TRAY EXTERNAL RISER (BTE)

Width X Height (mm)	Part No.	Thickness Ø	Description
100x55	HDG BTE 100X55MMH 4D	4MMØ	HDG BASKET TRAY RISER-DOWN 100X100 55(H) 4(D)
150x55	HDG BTE 150X55MMH 4D	4MMØ	HDG BASKET TRAY RISER-DOWN 150X150 55(H) 4(D)
200x55	HDG BTE 200X55MMH 4D	4MMØ	HDG BASKET TRAY RISER-DOWN 200X200 55(H) 4(D)
300x100	HDG BTE 300X100MMH 5D	5MMØ	HDG BASKET TRAY RISER-DOWN 300X300 100(H) 5(D)
400x100	HDG BTE 400X100MMH 5D	5MMØ	HDG BASKET TRAY RISER-DOWN 400X400 100(H) 5(D)
500x150	HDG BTE 500X150MMH 6D	6MMØ	HDG BASKET TRAY RISER-DOWN 500X500 150(H) 6(D)
600x150	HDG BTE 600X150MMH 6D	6MMØ	HDG BASKET TRAY RISER-DOWN 600X600 150(H) 6(D)

HDG BASKET TRAY EQUAL TEE  
(400a\*400b\*400c)MM 100H 5D



HDG BASKET TRAY EXTERNAL RISER  
400X400MM 100H 5D



**NOTE:**

To Install basket tray accessories use couplers with bolts and nuts M6

**MATERIAL:**

HDG - Hot Dip Galvanised

**AVAILABLE FINISHES:**

PG - Pre Galvanised  
SS - Stainless Steel Grade 316



## BASKET TRAY INTERNAL RISER (BTI)

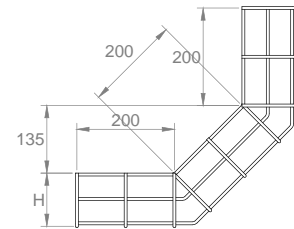
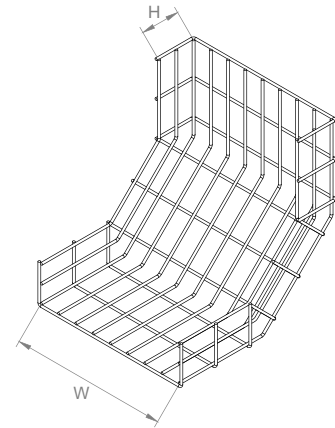
Width X Height (mm)	Part No.	Thickness Ø	Description
100x55	HDG BTI 100X55MMH 4D	4MMØ	HDG BASKET TRAY INTERNAL RISER-UP 100X100 55(H) 4(D)
150x55	HDG BTI 150X55MMH 4D	4MMØ	HDG BASKET TRAY INTERNAL RISER-UP 150X150 55(H) 4(D)
200x55	HDG BTI 200X55MMH 4D	4MMØ	HDG BASKET TRAY INTERNAL RISER-UP 200X200 55(H) 4(D)
300x100	HDG BTI 300X100MMH 5D	5MMØ	HDG BASKET TRAY INTERNAL RISER-UP 300X300 100(H) 5(D)
400x100	HDG BTI 400X100MMH 5D	5MMØ	HDG BASKET TRAY INTERNAL RISER-UP 400X400 100(H) 5(D)
500x150	HDG BTI 500X150MMH 6D	6MMØ	HDG BASKET TRAY INTERNAL RISER-UP 500X500 150(H) 6(D)
600x150	HDG BTI 600X150MMH 6D	6MMØ	HDG BASKET TRAY INTERNAL RISER-UP 600X600 150(H) 6(D)



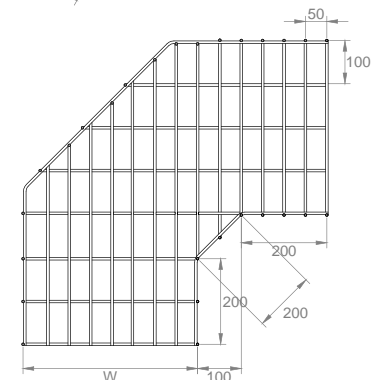
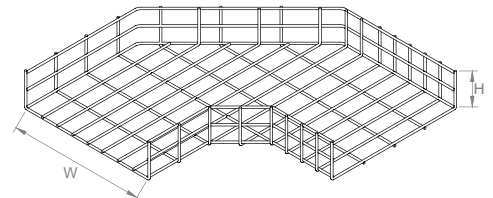
## BASKET TRAY 90° ELBOW (BTB)

Width X Height (mm)	Part No.	Thickness Ø	Description
100x55	HDG BTB 100X55MMH 4D	4MMØ	HDG BASKET TRAY 90° ELBOW 100X100 55(H) 4(D)
150x55	HDG BTB 150X55MMH 4D	4MMØ	HDG BASKET TRAY 90° ELBOW 150X150 55(H) 4(D)
200x55	HDG BTB 200X55MMH 4D	4MMØ	HDG BASKET TRAY 90° ELBOW 200X200 55(H) 4(D)
300x100	HDG BTB 300X100MMH 5D	5MMØ	HDG BASKET TRAY 90° ELBOW 300X300 100(H) 5(D)
400x100	HDG BTB 400X100MMH 5D	5MMØ	HDG BASKET TRAY 90° ELBOW 400X400 100(H) 5(D)
500x150	HDG BTB 500X150MMH 6D	6MMØ	HDG BASKET TRAY 90° ELBOW 500X500 150(H) 6(D)
600x150	HDG BTB 600X150MMH 6D	6MMØ	HDG BASKET TRAY 90° ELBOW 600X600 150(H) 6(D)

HDG BASKET TRAY INTERNAL RISER  
400X400MM 100H 5D



HDG BASKET TRAY 90° ELBOW  
400X400MM 100H 5D



**NOTE:**

To Install basket tray accessories use couplers with bolts and nuts M6

**MATERIAL:**

HDG - Hot Dip Galvanised

**AVAILABLE FINISHES:**

PG - Pre Galvanised  
SS - Stainless Steel Grade 316



# ADVANCE LINE BASKET TRAY



## BASKET TRAY STRAIGHT REDUCER (BTS)

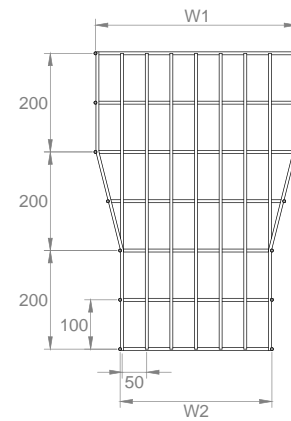
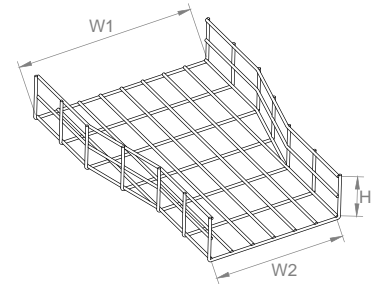
Width X Height (mm)	Part No.	Thickness Ø	Description
100x55	HDG BTS 100X55MMH 4D	4MMØ	HDG BASKET TRAY STRAIGHT REDUCER 100-55MM 55(H) 4(D)
150x55	HDG BTS 150X55MMH 4D	4MMØ	HDG BASKET TRAY STRAIGHT REDUCER 150-100MM 55(H) 4(D)
200x55	HDG BTS 200X55MMH 4D	4MMØ	HDG BASKET TRAY STRAIGHT REDUCER 200-100MM 55(H) 4(D)
300x100	HDG BTS 300X100MMH 5D	5MMØ	HDG BASKET TRAY STRAIGHT REDUCER 300-200MM 55(H) 5(D)
400x100	HDG BTS 400X100MMH 5D	5MMØ	HDG BASKET TRAY STRAIGHT REDUCER 400-300MM 55(H) 5(D)
500x150	HDG BTS 500X150MMH 6D	6MMØ	HDG BASKET TRAY STRAIGHT REDUCER 500-300MM 55(H) 6(D)
600x150	HDG BTS 600X150MMH 6D	6MMØ	HDG BASKET TRAY STRAIGHT REDUCER 600-400MM 55(H) 6(D)



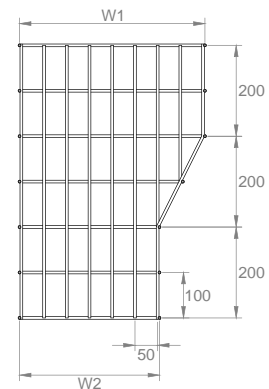
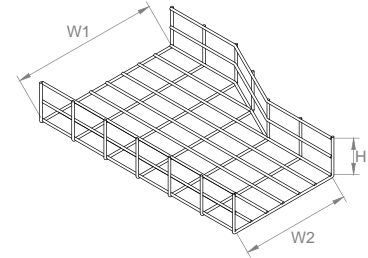
## BASKET TRAY RIGHT REDUCER (BTRR)

Width X Height (mm)	Part No.	Thickness Ø	Description
100x55	HDG BTRR 100X55MMH 4D	4MMØ	HDG BASKET TRAY RIGHT REDUCER 100-55 55(H) 4(D)
150x55	HDG BTRR 150X55MMH 4D	4MMØ	HDG BASKET TRAY RIGHT REDUCER 150-100 55(H) 4(D)
200x55	HDG BTRR 200X55MMH 4D	4MMØ	HDG BASKET TRAY RIGHT REDUCER 200-100 55(H) 4(D)
300x100	HDG BTRR 300X100MMH 5D	5MMØ	HDG BASKET TRAY RIGHT REDUCER 300-100 100(H) 5(D)
400x100	HDG BTRR 400X100MMH 5D	5MMØ	HDG BASKET TRAY RIGHT REDUCER 400-200 100(H) 5(D)
500x150	HDG BTRR 500X150MMH 6D	6MMØ	HDG BASKET TRAY RIGHT REDUCER 500-400 150(H) 6(D)
600x150	HDG BTRR 600X150MMH 6D	6MMØ	HDG BASKET TRAY RIGHT REDUCER 600-400 150(H) 6(D)

HDG BASKET TRAY STRAIGHT REDUCER  
400(W1)-300(W2)MM 100H 5D



HDG BASKET TRAY RIGHT REDUCER  
400(W1)-300(W2)MM 100H 5D



**NOTE:**

To Install basket tray accessories use couplers with bolts and nuts M6

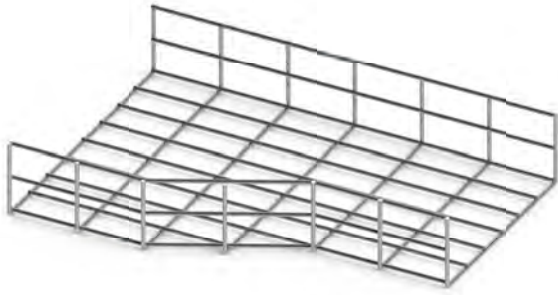
**MATERIAL:**

HDG - Hot Dip Galvanised

**AVAILABLE FINISHES:**

PG - Pre Galvanised  
SS - Stainless Steel Grade 316

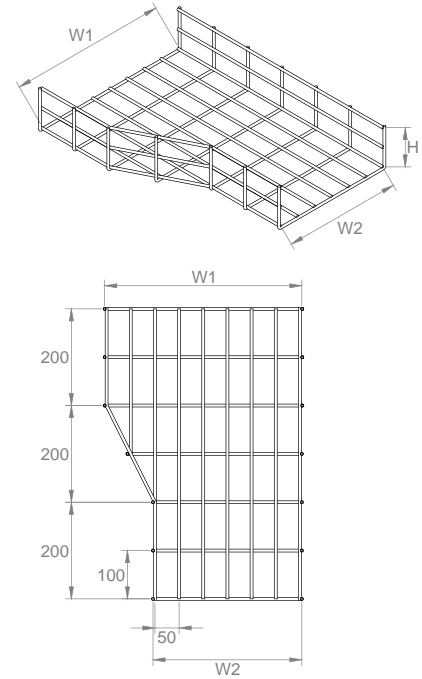




## BASKET TRAY LEFT REDUCER (BTLR)

Width X Height (mm)	Part No.	Thickness Ø	Description
100x55	HDG BTLR 100X55MMH 4D	4MMØ	HDG BASKET TRAY LEFT REDUCER 100-55MM 55(H) 4(D)
150x55	HDG BTLR 150X55MMH 4D	4MMØ	HDG BASKET TRAY LEFT REDUCER 150-100MM 55(H) 4(D)
200x55	HDG BTLR 200X55MMH 4D	4MMØ	HDG BASKET TRAY LEFT REDUCER 200-100MM 55(H) 4(D)
300x100	HDG BTLR 300X100MMH 5D	5MMØ	HDG BASKET TRAY LEFT REDUCER 300-200MM 55(H) 5(D)
400x100	HDG BTLR 400X100MMH 5D	5MMØ	HDG BASKET TRAY LEFT REDUCER 400-300MM 55(H) 5(D)
500x150	HDG BTLR 500X150MMH 6D	6MMØ	HDG BASKET TRAY LEFT REDUCER 500-300MM 55(H) 6(D)
600x150	HDG BTLR 600X150MMH 6D	6MMØ	HDG BASKET TRAY LEFT REDUCER 600-400MM 55(H) 6(D)

HDG BASKET TRAY LEFT REDUCER  
400(W1)-300(W2)MM 100H 5D



**NOTE:**

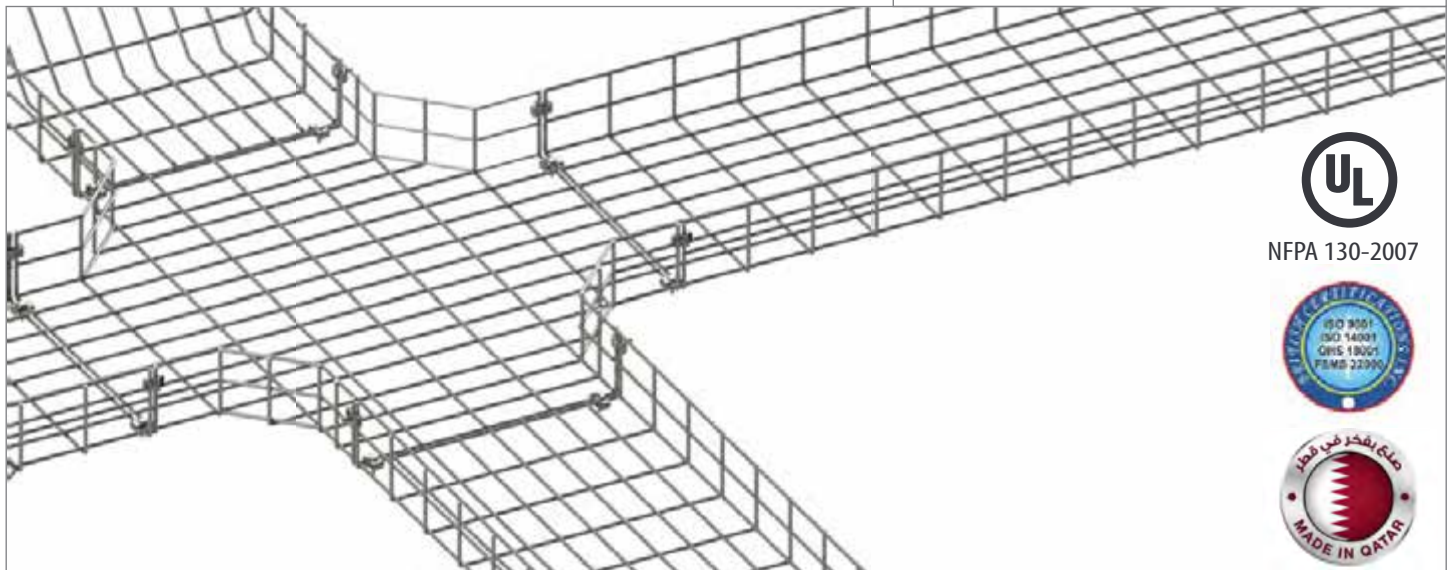
To Install basket tray accessories use couplers with bolts and nuts M6

**MATERIAL:**

HDG - Hot Dip Galvanised

**AVAILABLE FINISHES:**

PG - Pre Galvanised  
SS - Stainless Steel Grade 316



NFPA 130-2007



[www.AL-qatar.com](http://www.AL-qatar.com)  
[info@AL-qatar.com](mailto:info@AL-qatar.com)

+974 44419827  
+974 66141726  
+974 55073385

Birkat Al-Awamer, Doha-Qatar  
PO Box: 10367

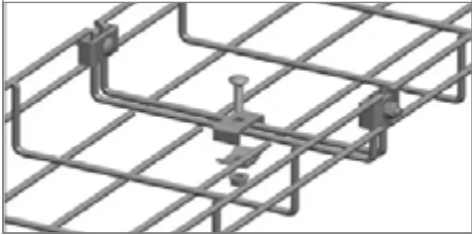


## BASKET TRAY ACCESSORIES

COUPLER NUT & BOLT

**AL-BTC-001**

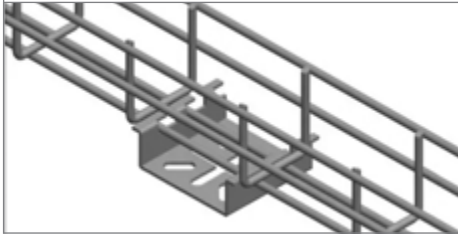
Basket tray coupler for straight sections connection. (Hardware included)



COUPLER SPIDER

**AL-BTC-002**

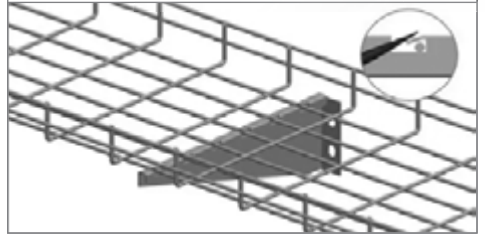
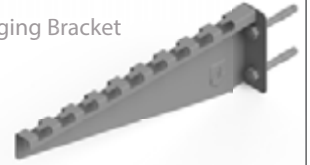
Basket tray spider for directly to floor connection.



V-WALL BRACKET

**AL-BTC-003**

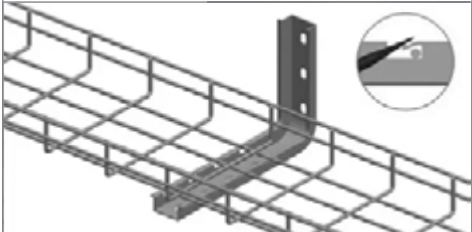
Basket tray hanging Bracket directly to wall. (Anchor bolts not included)



L-WALL BRACKET

**AL-BTC-004**

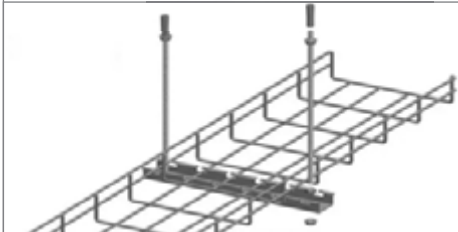
Basket tray hanging Bracket directly to wall. (Requires Mounting Anchor Bolts)



CEILING HANGING BAR

**AL-BTC-005**

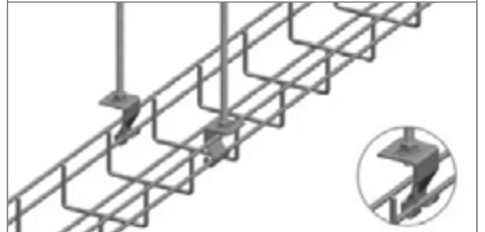
Basket tray ceiling mount support. (Requires Threaded rods and anchor bolts)



CEILING HANGING HOOKS

**AL-BTC-006**

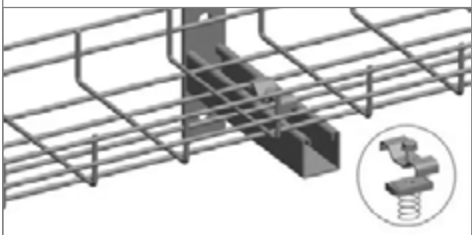
Basket tray ceiling mount support. (Requires Threaded rods and anchor bolts)



T-WALL BRACKET KIT

**AL-BTC-007**

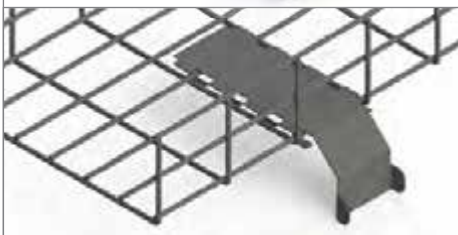
Basket tray hanging Bracket directly to wall. (Requires Mounting Anchor Bolts)



CABLE GUIDE PLATE

**AL-BTC-008**

Basket tray guiding the cables at the right angle



COPPER GROUNDING BOLT

**AL-BTC-009**

Basket tray ground wire to earth ground



SPECIAL FABRICATION ORDER FOR ACCESSORIES AND CONNECTORS ARE AVAILABLE UPON REQUEST.





# ADVANCE LINE

CABLE MANAGEMENT SYSTEM L.L.C

**Advance Line** Strut C-Channel Framing is the original system offering a time and money saving alternative to conventional support methods. The Slotted C-Channel system eliminates welding and drilling, and is easily adjustable, Demountable and reusable.



NFPA 130-2007



05

## STRUT C-CHANNEL



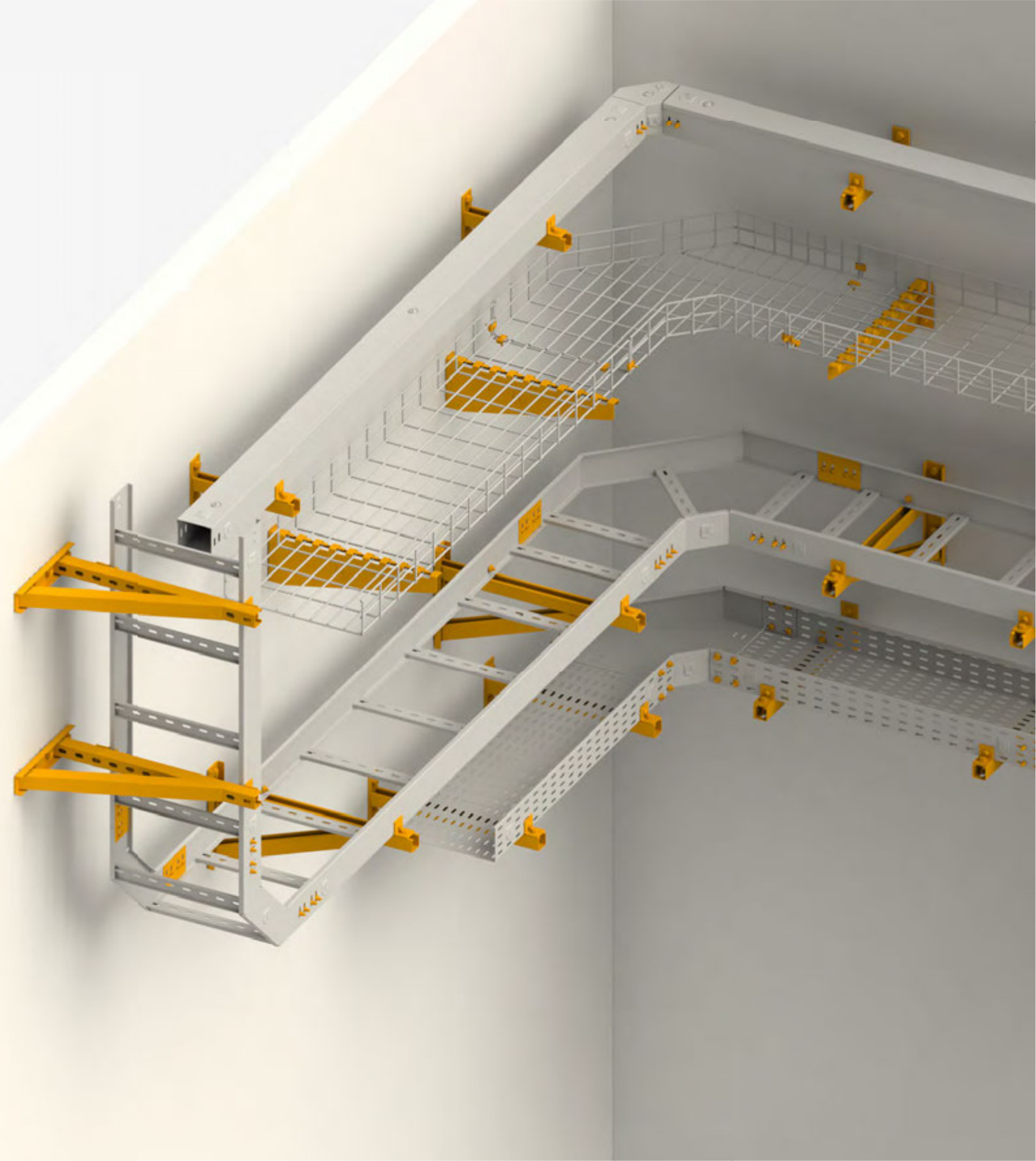
[www.AL-qatar.com](http://www.AL-qatar.com)  
[info@AL-qatar.com](mailto:info@AL-qatar.com)



+974 44419827  
+974 66141726  
+974 55073385



Birkat Al-Awamer, Doha-Qatar  
PO Box: 10367



**ADVANCE LINE**  
CABLE MANAGEMENT SYSTEM L.L.C



## METAL FRAMING SYSTEMS C-CHANNEL



### Bracket Support:

- Advance Line Channel Manufactured From Cold Rolled Steel Formed On Rolling Machine According To BS 16946:1988
- Cable Management System support
- HVAC Support
- Pipe Support
- Solar Panel Support

### Fixings:

- Bolts, hexagon nuts, screws and washers manufactured from steel complying with BS3692, BS970 Grade A4 or BS6105 or BS4190. Protective coating complying with BS1706 or BS3382.

### Finishing:

- Pre-galvanized According (ASTM A653M COATING G90 &G60) Hot Dip Galvanized After Fabrication (ASTM A123/BSEN 1501461:2009)

### Dimensions and Tolerance:

- In accordance with BS6946: 1988 "Metal Channel Cable Support Systems for Electrical installations.

### Identification and Selection :

Code Detail

**HDG SC PL 41X41 1.5 3MTR**

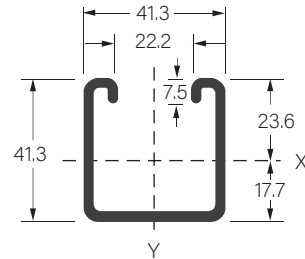
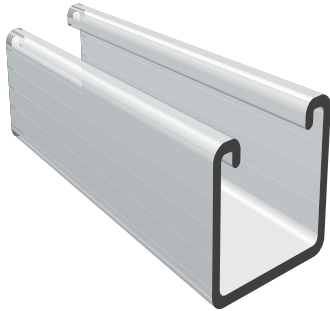
3MTR	MATERIAL LENGTH (MRT)
1.5	THICKNESS (MM)
41X41	SIZE (MM)
PL	(PL) PLAIN, (SL) SLOTTED (BB) BACK TO BACK
SC	STRUT C-CHANNEL
HDG	(HDG) HOT DIP GALVANISED
	(G.I) PRE-GALVANISED
	(PC) POWDER COATING



# ADVANCE LINE STRUT C-CHANNEL

## PLAIN C-CHANNEL 41X41

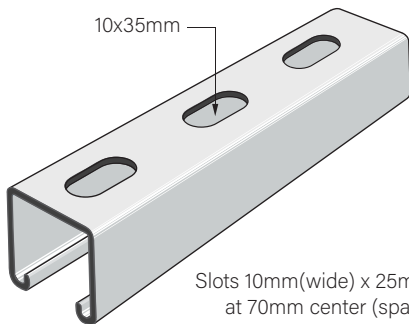
Strut Size : 41mm x 41mm  
 Material Thickness : 1.5mm, 2mm, 2.5mm, 3mm,  
 Finish : HDG, PG, Powder Coated  
 Length : 3/6 M



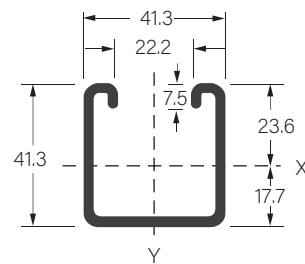
Width X Depth (mm)	Part No.	Thick-ness	Description
21x21	AL-SC-P-21 X21-2.5-PG/HDG/PC-3/6	2.5	PLAIN STRUT CHANNEL, 21 DEEP, 21 WIDE, PG/HDG/PC-3/6MTR
41x21	AL-SC-P-41 X21-2.5-PG/HDG/PC-3/6	2.5	PLAIN STRUT CHANNEL, 41 DEEP, 21 WIDE, PG/HDG/PC-3/6MTR
41x41	AL-SC-P-41 X41-2.5-PG/HDG/PC-3/6	2.5	PLAIN STRUT CHANNEL, 41 DEEP, 41 WIDE, PG/HDG/PC-3/6MTR

## SLOTTED C-CHANNEL 41X41

Strut Size : 41mm x 41mm  
 Material Thickness : 1.5mm, 2mm, 2.5mm, 3mm,  
 Finish : HDG, PG, Powder Coated  
 Length : 3/6 M



Slots 10mm(wide) x 25mm(long) at 70mm center (spacing)



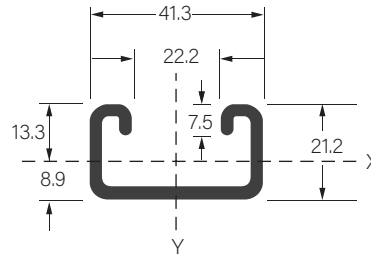
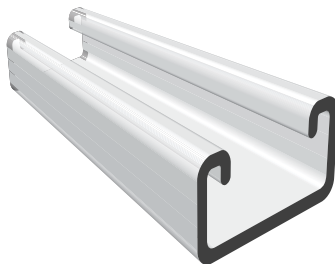
Width X Depth (mm)	Part No.	Thick-ness	Description
21x21	AL-SC-P-21 X21-2.5-PG/HDG/PC-3/6	2.5	SLOTTED STRUT CHANNEL, 21 DEEP, 21 WIDE, PG/HDG/PC-3/6MTR
41x21	AL-SC-P-41 X21-2.5-PG/HDG/PC-3/6	2.5	SLOTTED STRUT CHANNEL, 41 DEEP, 21 WIDE, PG/HDG/PC-3/6MTR
41x41	AL-SC-P-41 X41-2.5-PG/HDG/PC-3/6	2.5	SLOTTED STRUT CHANNEL, 41 DEEP, 41 WIDE, PG/HDG/PC-3/6MTR

*Note: All Dimensions and finishes are available upon request.*



## PLAIN C-CHANNEL 41X21

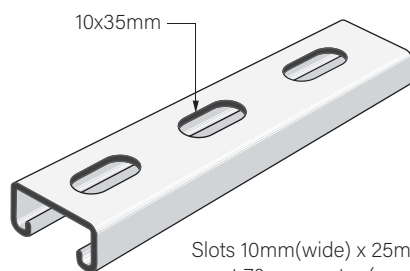
Strut Size : 41mm x 21mm  
 Material Thickness : 1.5mm, 2mm, 2.5mm, 3mm,  
 Finish : HDG, PG, Powder Coated  
 Length : 3/6 M



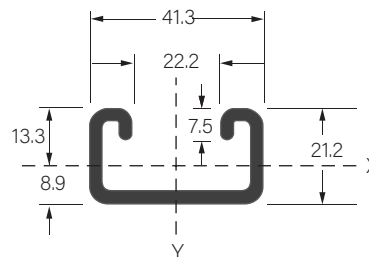
Width X Depth (mm)	Part No.	Thick-ness	Description
21x21	AL-SC-P-21 X21-2.5-PG/HDG/PC-3/6	2.5	PLAIN STRUT CHANNEL, 21 DEEP, 21 WIDE, PG/HDG/PC-3/6MTR
41x21	AL-SC-P-41 X21-2.5-PG/HDG/PC-3/6	2.5	PLAIN STRUT CHANNEL, 41 DEEP, 21 WIDE, PG/HDG/PC-3/6MTR
41x41	AL-SC-P-41 X41-2.5-PG/HDG/PC-3/6	2.5	PLAIN STRUT CHANNEL, 41 DEEP, 41 WIDE, PG/HDG/PC-3/6MTR

## SLOTTED C-CHANNEL 41X21

Strut Size : 41mm x 21mm  
 Material Thickness : 1.5mm, 2mm, 2.5mm, 3mm,  
 Finish : HDG, PG, Powder Coated  
 Length : 3/6 M



Slots 10mm(wide) x 25mm(long)  
 at 70mm center (spacing)



Width X Depth (mm)	Part No.	Thick-ness	Description
21x21	AL-SC-P-21 X21-2.5-PG/HDG/PC-3/6	2.5	SLOTTED STRUT CHANNEL, 21 DEEP, 21 WIDE, PG/HDG/PC-3/6MTR
41x21	AL-SC-P-41 X21-2.5-PG/HDG/PC-3/6	2.5	SLOTTED STRUT CHANNEL, 41 DEEP, 21 WIDE, PG/HDG/PC-3/6MTR
41x41	AL-SC-P-41 X41-2.5-PG/HDG/PC-3/6	2.5	SLOTTED STRUT CHANNEL, 41 DEEP, 41 WIDE, PG/HDG/PC-3/6MTR

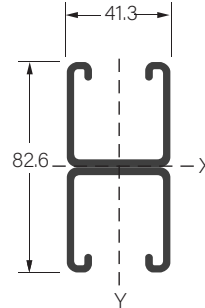
*Note: All Dimensions and finishes are available upon request.*



# ADVANCE LINE STRUT C-CHANNEL

## BACK TO BACK CHANNEL 41X41

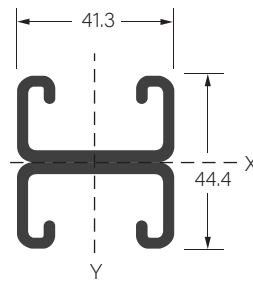
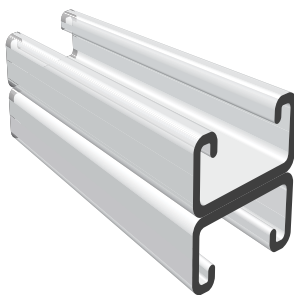
Strut Size : 41mm x 41mm  
 Material Thickness : 1.5mm, 2mm, 2.5mm, 3mm,  
 Finish : HDG, PG, Powder Coated  
 Length : 3/6 M



Width X Depth (mm)	Part No.	Thick-ness	Description
21x21	AL-SC-P-21 X21-2.5-PG/HDG/PC-3/6	2.5	BACK TO BACK CHANNEL, 21 DEEP, 21 WIDE, PG/HDG/PC-3/6MTR
41x21	AL-SC-P-41 X21-2.5-PG/HDG/PC-3/6	2.5	BACK TO BACK CHANNEL, 41 DEEP, 21 WIDE, PG/HDG/PC-3/6MTR
41x41	AL-SC-P-41 X41-2.5-PG/HDG/PC-3/6	2.5	BACK TO BACK CHANNEL, 41 DEEP, 41 WIDE, PG/HDG/PC-3/6MTR

## BACK TO BACK CHANNEL 41X21

Strut Size : 41mm x 21mm  
 Material Thickness : 1.5mm, 2mm, 2.5mm, 3mm,  
 Finish : HDG, PG, Powder Coated  
 Length : 3/6 M



Width X Depth (mm)	Part No.	Thick-ness	Description
21x21	AL-SC-P-21 X21-2.5-PG/HDG/PC-3/6	2.5	BACK TO BACK CHANNEL, 21 DEEP, 21 WIDE, PG/HDG/PC-3/6MTR
41x21	AL-SC-P-41 X21-2.5-PG/HDG/PC-3/6	2.5	BACK TO BACK CHANNEL, 41 DEEP, 21 WIDE, PG/HDG/PC-3/6MTR
41x41	AL-SC-P-41 X41-2.5-PG/HDG/PC-3/6	2.5	BACK TO BACK CHANNEL, 41 DEEP, 41 WIDE, PG/HDG/PC-3/6MTR

*Note: All Dimensions and finishes are available upon request.*





## SUPPORT SYSTEM

### Materials:

- (HR) : Hot Rolled steel sheet in accordance to ASTM A1011.
- (AL) : Aluminum in accordance to ASTM B209.
- (SS) : Stainless Steel in accordance to ASTM A240 (Type 304 & 316)

### Finishing:

- (HDG) : Hot Dip Galvanized BS 1461.
- (EC) : Epoxy Coateding
- (PC): Powder Coating

### Fixings:

- Bolts, Hexagons nuts, Washers, Screws, Anchor Bolts and Thread Rods Manufactured from steel complying BS 3692, BS 970 Grade A4 of BS 6105 or BS 4190. Protective Coating Complying with BS 1706 or BS 3382

### Channels:

- Manufactured from steel complying with BS 1449 or BS 2989 (Pre Zinc Coated)

### Brackets:

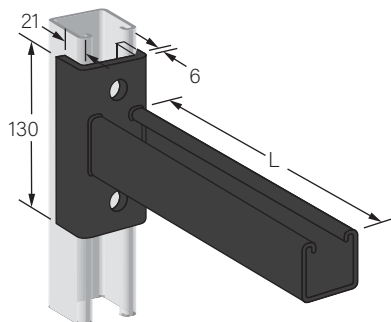
- Manufactured from steel complying with BS 970, BS 1449 or BS 4360

### Dimensions & Tolerance:

- In accordance with BS 6946: 1988 Metal Channel cable support system for electrical installations.

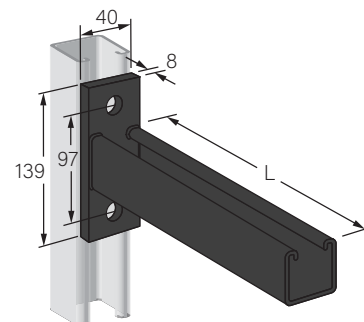
## CANTILEVER BRACKET FITTINGS

**AL-SS601**



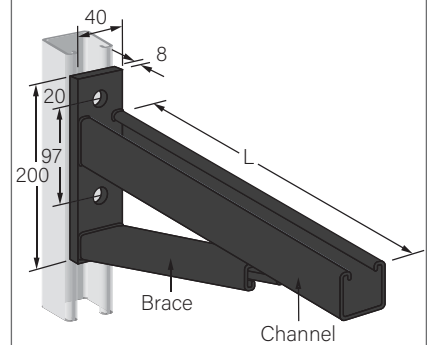
Lengths: as per request

**AL-SS602**



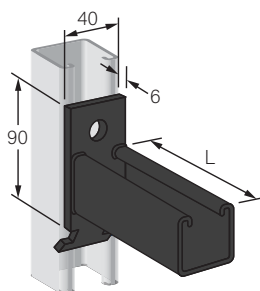
Lengths: as per request

**AL-SS603**



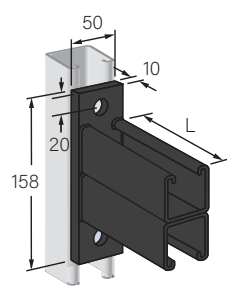
Lengths: as per request

**AL-SS604**



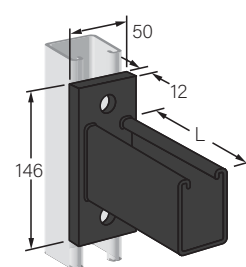
Lengths: as per request

**AL-SS605**



Lengths: as per request

**AL-SS606**

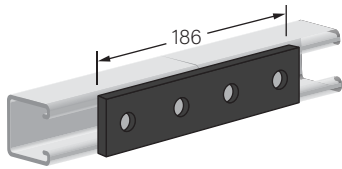


Lengths: as per request

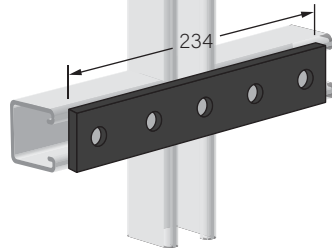


## FLAT PLATE FITTINGS

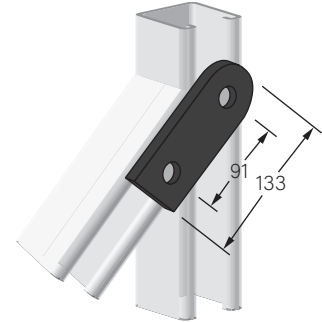
**AL-SS101**



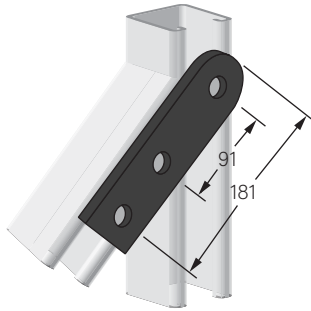
**AL-SS102**



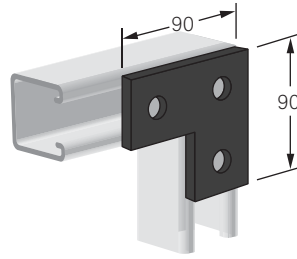
**AL-SS103**



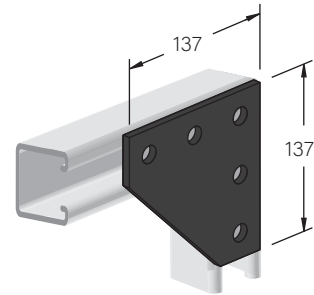
**AL-SS104**



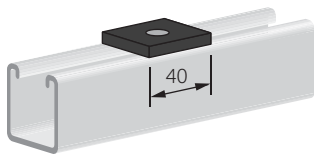
**AL-SS105**



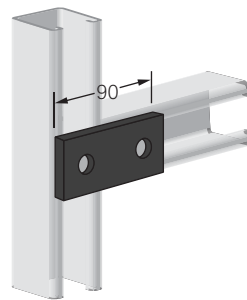
**AL-SS106**



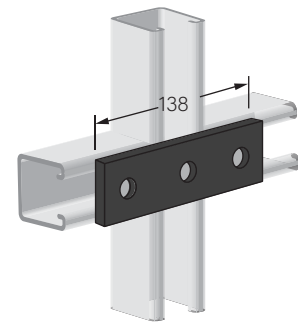
**AL-SS107**



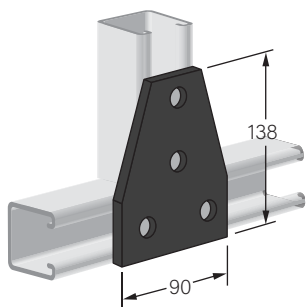
**AL-SS108**



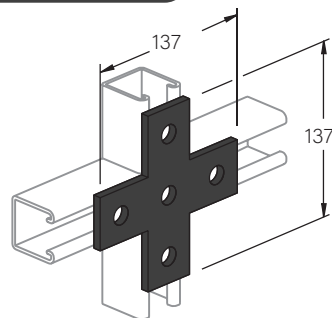
**AL-SS109**



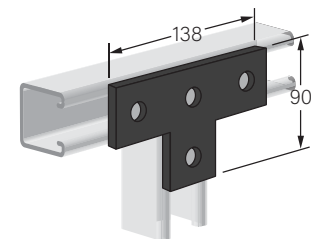
**AL-SS110**



**AL-SS111**



**AL-SS112**



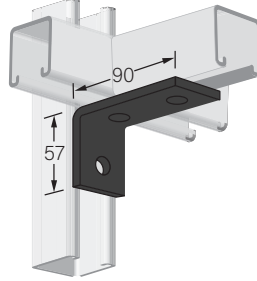


## 90° ANGLE FITTINGS

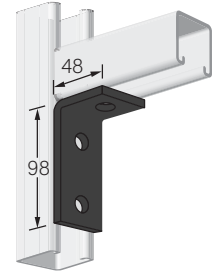
**AL-SS201**



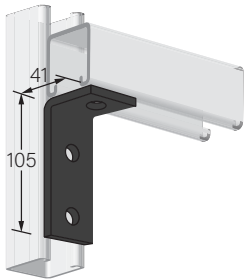
**AL-SS202**



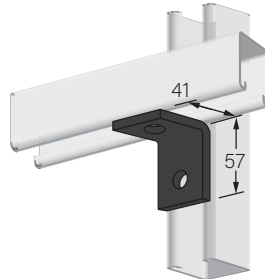
**AL-SS203**



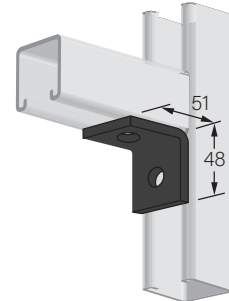
**AL-SS004**



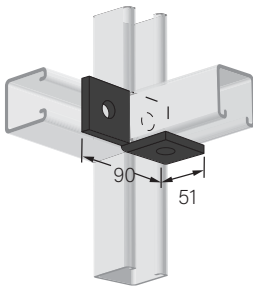
**AL-SS005**



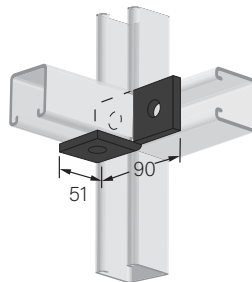
**AL-SS006**



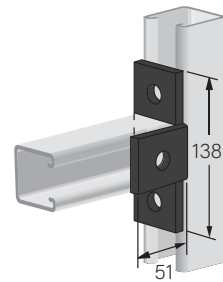
**AL-SS207**



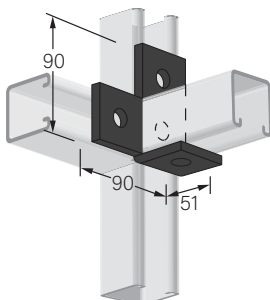
**AL-SS208**



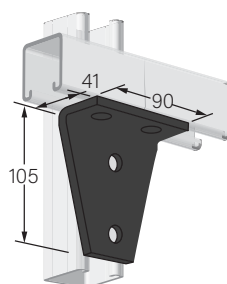
**AL-SS209**



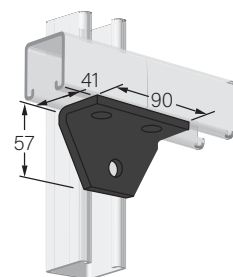
**AL-SS210**



**AL-SS211**



**AL-SS212**

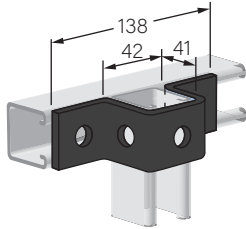




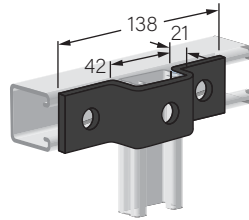
# ADVANCE LINE SUPPORT SYSTEM

## U-SHAPE FITTINGS

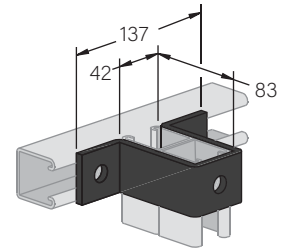
**AL-SS401**



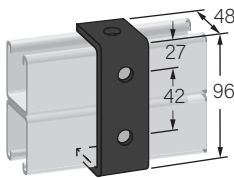
**AL-SS402**



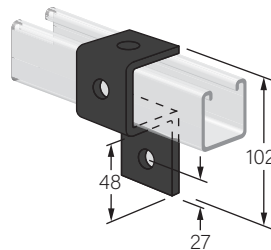
**AL-SS403**



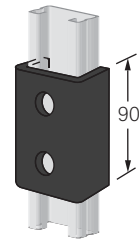
**AL-SS404**



**AL-SS405**

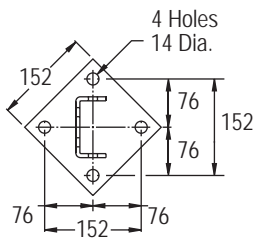


**AL-SS406**

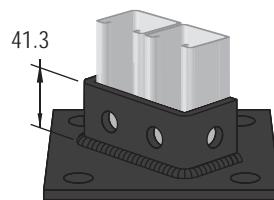


## POST BASE FITTINGS

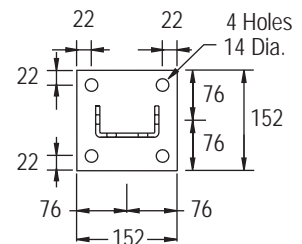
**AL-SS501**



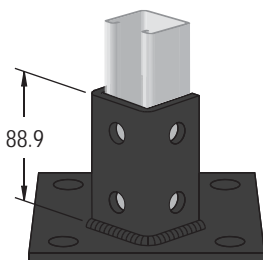
**AL-SS502**



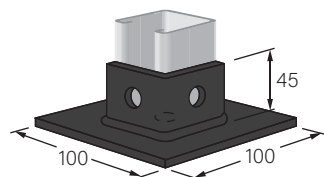
**AL-SS503**



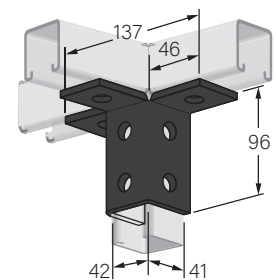
**AL-SS504**



**AL-SS505**



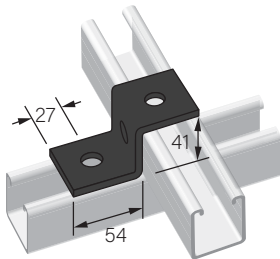
**AL-SS506**



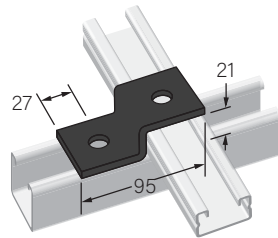


## Z-SHAPE FITTINGS

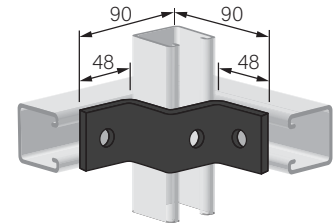
**AL-SS301**



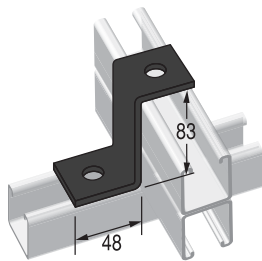
**AL-SS302**



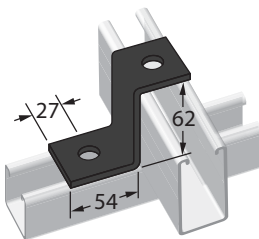
**AL-SS303**



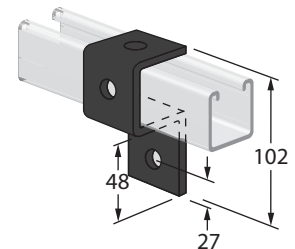
**AL-SS304**



**AL-SS305**

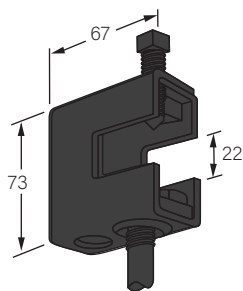


**AL-SS306**

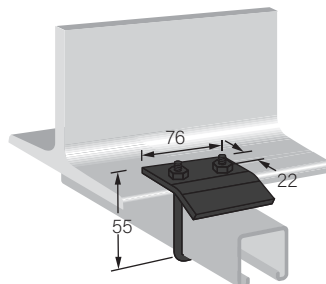


## BEAM CLAMP FITTINGS

**AL-SS701**

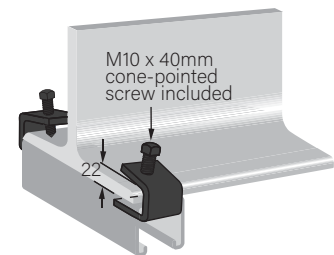


**AL-SS702**



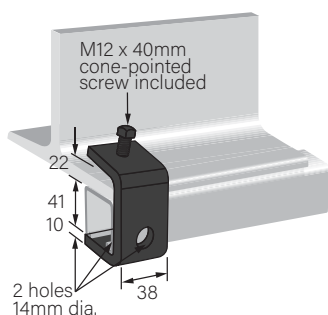
Use in pairs only

**AL-SS703**

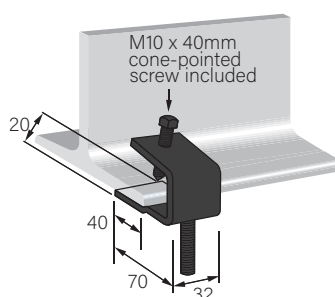


Use in pairs only

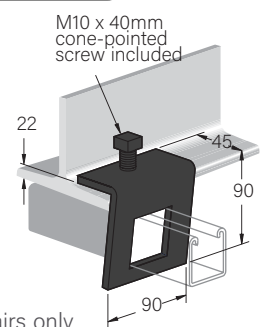
**AL-SS704**



**AL-SS705**



**AL-SS706**



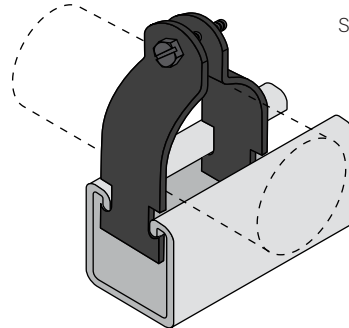
Use in pairs only



## CONDUIT FITTINGS

### RIGID CONDUIT CLAMP

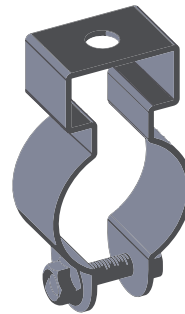
Part No	Conduit Nom. Size	Conduit Actual Size
AL-EF801	16	15.5
AL-EF802	20	19.8
AL-EF803	25	24.8
AL-EF804	32	31.8
AL-EF805	40	39.8
AL-EF806	50	49.8
AL-EF807	63	62.8
AL-EF808	65	75.3
AL-EF809	80	88.9
AL-EF810	100	114.3
AL-EF811	150	160.2



Slotted hex head screw and nut included

### CONDUIT HANGER

Part No	Conduit Nom. Size	Conduit Actual Size
AL-CH901	16	15.5
AL-CH902	20	19.8
AL-CH903	25	24.8
AL-CH904	32	31.8
AL-CH905	40	39.8



Slotted hex head screw and nut included

### PVC END CAP FOR C-CHANNEL

For 41x41 C-Channels

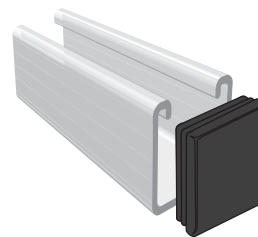


AL-PVC100

For 41x21 C-Channels



AL-PVC200



TYPICAL INSTALLATION



## HARDWARE

### Material:

Screws & nuts:

- (HR) Steel : in acc. To ASTM A307 / ASTM A563
- (SS) Stainless Steel : To ASTM A593 (Type 304 & 316)

### Finishing:

- (PG) Zinc Plated; in Acc. To ASTM B633
- (HDG) Hot Dip Galvanized; in Acc. To ASTM A153

### Channel Nuts:

- (HR) Steel; in Acc. to ASTM A108 / ASTM A36
- (SS) Stainless Steel : to ASTM A593 (Type 304 & 316)

### FLAT WASHERS

Part No	Size
AL-FW01	M6
AL-FW02	M8
AL-FW03	M10
AL-FW04	M12
AL-FW05	M16
AL-FW06	M20



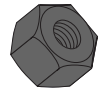
### LOCK WASHER

Part No	Size
AL-LW01	M6
AL-LW02	M8
AL-LW03	M10
AL-LW04	M12
AL-LW05	M16
AL-LW06	M20



### HEXAGON NUTS

Part No	Size
AL-HW01	M6
AL-HW02	M8
AL-HW03	M10
AL-HW04	M12
AL-HW05	M16
AL-HW06	M20



### STEEL THREADED ROD

Part No	Size
AL-TR01	M6
AL-TR02	M8
AL-TR03	M10
AL-TR04	M12
AL-TR05	M16
AL-TR06	M20



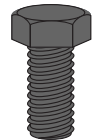
### ROD COUPLING

Part No	Size
AL-RC01	M6
AL-RC02	M8
AL-RC03	M10
AL-RC04	M12
AL-RC05	M16
AL-RC06	M20



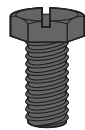
### HEAD MACHINE SCREW

Part No	Size
AL-HS01	M6
AL-HS02	M8
AL-HS03	M10
AL-HS04	M12



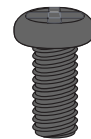
### SLOTTED HEAD SCREW

Part No	Size
AL-SS01	M6
AL-2S02	M8
AL-SS03	M10
AL-SS04	M12



### ROUND SLOTTED HEAD SCREW

Part No	Size
AL-RS01	M6
AL-RS02	M8
AL-RS03	M10
AL-RS04	M12



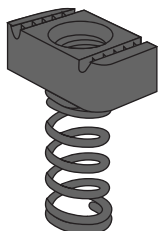
### SQUARE HEAD POINTED SCREW

Part No	Size
AL-HP01	M6
AL-HP02	M8
AL-HP03	M10
AL-HP04	M12



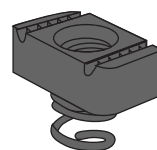
### LONG SPRING CHANNEL NUT

Part No	Size
AL-LC01	M6
AL-LC02	M8
AL-LC03	M10
AL-LC04	M12



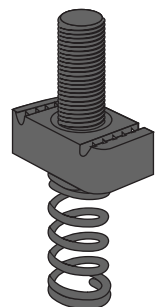
### SHORT SPRING CHANNEL NUT

Part No	Size
AL-SC01	M6
AL-SC02	M8
AL-SC03	M10
AL-SC04	M12



### SPRING CHANNEL NUT STUD

Part No	Size
AL-NS01	M6
AL-NS02	M8
AL-NS03	M10
AL-NS04	M12





# ADVANCE LINE SUPPORT SYSTEM

## HARDWARE

### WEDGE ANCHOR

Part No	Size
AL-WA01	M6
AL-WA02	M8
AL-WA03	M10
AL-WA04	M12



### DROP IN ANCHOR

Part No	Size
AL-DA01	M6
AL-DA02	M8
AL-DA03	M10
AL-DA04	M12



### BONDING JUMPER

AL-BJ100  
LENGTH: 120MM



### T - BOLT

Part No	Size
AL-TB01	M6
AL-TB02	M8
AL-TB03	M10
AL-TB04	M12



### TRUSS HEAD BOLT

Part No	Size
AL-TH01	M6
AL-TH02	M8
AL-TH03	M10
AL-TH04	M12



### SPRINGLESS CHANNEL NUT

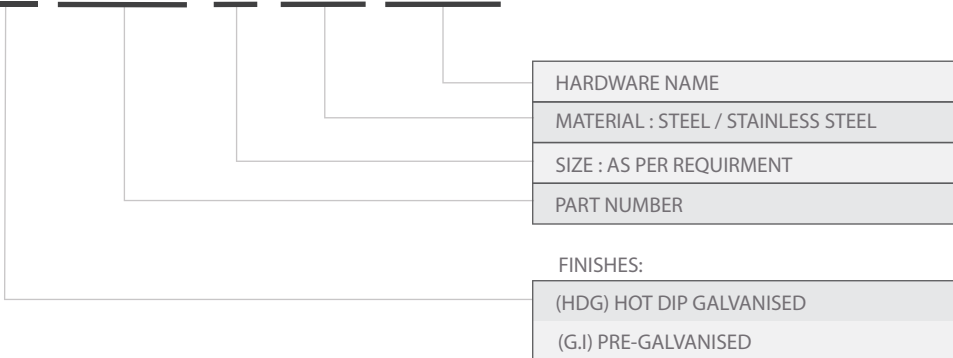
Part No	Size
AL-CC01	M6
AL-CC02	M8
AL-CC03	M10
AL-CC04	M12



## Identification and Selection :

Code Detail

**HDG AL-TB01 M6 STEEL T-BOLT**



[www.AL-qatar.com](http://www.AL-qatar.com)  
[info@AL-qatar.com](mailto:info@AL-qatar.com)

+974 44419827  
+974 66141726  
+974 55073385

Birkat Al-Awamer, Doha-Qatar  
PO Box: 10367





# ADVANCE LINE

CABLE MANAGEMENT SYSTEM L.L.C

**Advance Line** GI Switch Boxes come in various sizes and specifications to suit every need. Each product adheres to the highest international safety and quality standards.



NFPA 130-2007



**06**

# GI SWITCH BOXES



[www.AL-qatar.com](http://www.AL-qatar.com)  
[info@AL-qatar.com](mailto:info@AL-qatar.com)



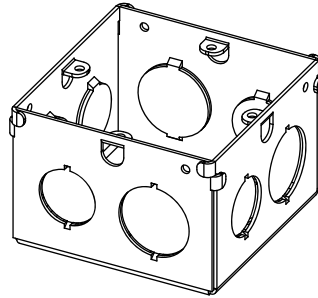
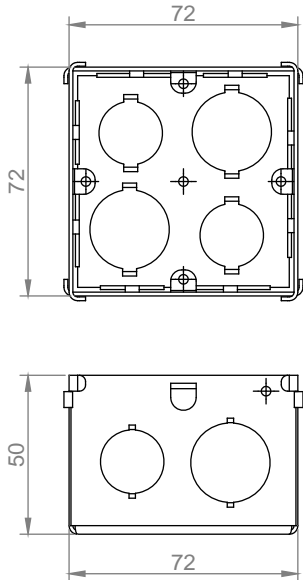
+974 44419827  
+974 66141726  
+974 55073385



Birkat Al-Awamer, Doha-Qatar  
PO Box: 10367



## G.I SWITCH BOX



### Features:

- With Brass Earth Terminals, Adjustable Lugs and Combination of Knockouts (20mm And 25mm) Installation box 3 x 3 / (0.9mm - 1.1mm) and 3x6 / (0.9mm - 1.1mm)
- Electrical accessory back box intended to contain one or more electrical accessories and to be recessed into wall or ceiling or similar flat surfaced structure.
- 3x3 box one gang, 1 x adjustable lug, 3 x fixed lug with smooth cable entry knockouts of 20mm and 25mm.
- 3x6 box, two gang, 1 adjustable lug, 1 fixed lug with smooth cable entry knockouts of 20mm and 25mm.
- Wall thickness of boxes (0.9 mm - 1.1 mm)

### Materials:

- Pre Galvanized Pressed Steel Sheets made to BS 4662:2006

### Finishing:

- Natural, Galvanized

### Adjustable Lug:

A comprehensive range of switch and socket boxes manufactured in four depths 16mm, 25mm, 35mm and 48mm and all available in one and two gang configurations. To facilitate the easy fitting of accessories into the boxes, they are designed with at least one adjustable lug.

### Regulation Brass Earth Terminal:

All our Switch and Socket Boxes include unique Regulation Brass Earth Terminal into which several earth wires can be fitted from either the inside or outside of the box. Each box is produced with as specified number and size of knock outs which allow adequate cable entries for wiring purposes.

### Nominal Dimensions:









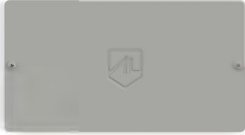


One Gang - 72mm x 72mm  
Two Gang - 132mm x 72mm





# ADVANCE LINE GI SWITCH BOX

## SWITCH & SOCKET BOXES

<b>AL-42RE</b> 	SWITCH BOX 16MM DEEP			<b>AL-62RE</b> 	SWITCH & SOCKET BOXS 25MM DEEP		
	GANG	TYPE OF ENTRY	FIXING LUGS		GANG	TYPE OF ENTRY	FIXING LUGS
	One Gang	1 Oval Fitted with rubber grommet and 3 oval KO's for grommet entry	1 fixed and 1 adjustable		One Gang	20mm KO's	2 fixed and 2 adjustable
<b>AL-72RE</b> 	SWITCH & SOCKET BOXS 25MM DEEP			<b>AL-82RE2025</b> 	SWITCH & SOCKET BOXS 35MM DEEP		
	GANG	TYPE OF ENTRY	FIXING LUGS		GANG	TYPE OF ENTRY	FIXING LUGS
	Two Gang	16mm x 20mm KO's	1 fixed and 1 adjustable		One Gang	1 Oval Fitted with rubber grommet and 3 oval KO's for grommet entry	1 fixed and 1 adjustable
<b>AL-92RE2025</b> 	SWITCH & SOCKET BOXES 35MM DEEP			<b>AL-14RE</b> 	SWITCH & SOCKET BOXS 25MM DEEP		
	GANG	TYPE OF ENTRY	FIXING LUGS		GANG	TYPE OF ENTRY	FIXING LUGS
	Two Gang	25mm x 20mm KO's	1 fixed and 1 adjustable		One Gang	1 Oval Fitted with rubber grommet and 3 oval KO's for grommet entry	1 fixed and 1 adjustable
<b>AL-22RE</b> 	SWITCH & SOCKET BOXES 47MM DEEP			 72X72 COVER  132X72 COVER  100X100 COVER  100X50 COVER			
	GANG	TYPE OF ENTRY	FIXING LUGS				
	Two Gang	25mm x 20mm KO's	1 fixed and 1 adjustable				

MATERIAL : PRE-GALVANIZED PRESSED STEEL SHEETS MADE TO BS 4662:2006  
 FINISHING : NATURAL, GALVANIZED



## SQUARE BOXES AND COVERS

### 4" SQUARE BOXES, DRAWN TYPE



Cat. No.	KNOCKOUTS		
	EA. SIDE CONDUIT	EA. END CONDUIT	EA. BOTTOM CONDUIT
1½" Deep with Conduit KO's Thickness: 0.8mm, 1.0mm, 1.2mm, 1.5mm			
52151-½	3-½"	3-½"	5-½"
52151-¾	2-¾"	2-¾"	5-½"
52151-½ & ¾	2-½"	2-½"	5-½"
	1-¾"	1-¾"	2-¾"
2½" Deep with Conduit KO's Thickness: 0.8mm, 1.0mm, 1.2mm, 1.5mm			
52171-½	3-½"	3-½"	5-½"
52171-¾	2-¾"	2-¾"	3-½"
			2-¾"
52171-½ & ¾	2-½"	2-½"	3-½"
			2-¾"
52171-¾	2-1"	2-1"	3-½"
			2-¾"

### 4" SQUARE EXTENSION RINGS, DRAWN TYPE



Cat. No.	KNOCKOUTS	
	EA. SIDE CONDUIT	EA. END CONDUIT
1½" Deep with Conduit KO's Thickness: 0.8mm, 1.0mm, 1.2mm, 1.5mm		
53151-½	3-½"	3-½"
53151-¾	2-¾"	2-¾"
53151-½ & ¾	2-½"	2-½"
		1-¾"
2½" Deep with Conduit KO's Thickness: 0.8mm, 1.0mm, 1.2mm, 1.5mm		
53171-½	3-½"	3-½"
53171-¾	2-¾"	2-¾"
53171-½ & ¾	2-½"	2-½"
		1-¾"
53171-¾	2-1"	2-1"

## HANDY BOXES AND COVERS

### 4X2" HANDY BOXES, DRAWN TYPE



Cat. No.	KNOCKOUTS		
	EA. SIDE CONDUIT	EA. END CONDUIT	EA. BOTTOM CONDUIT
1½" Deep with Conduit KO's Thickness: 0.8mm, 1.0mm, 1.2mm, 1.5mm			
58351-½	3-½"	1-½"	3-½"
1⅞" Deep with Conduit KO's Thickness: 0.8mm, 1.0mm, 1.2mm, 1.5mm			
58361-½	3-½"	1-½"	3-½"
58361-¾	2-¾"	1-¾"	2-¾"
58361-½ & ¾	2-½"	1-¾"	2-½"
			1-¾"
2⅞" Deep with Conduit KO's Thickness: 1.2mm, 1.5mm			
58371-½	3-½"	1-½"	3-½"
58371-¾	2-¾"	1-¾"	2-¾"
58371-½ & ¾	2-½"	1-¾"	2-½"
			1-¾"
58371-1	2-1"	1-1"	2-1"

### 4X2" HANDY BOX EXTENSION RINGS, DRAWN TYPE



Cat. No.	KNOCKOUTS	
	EA. SIDE CONDUIT	EA. END CONDUIT
1½" Deep with Conduit KO's Thickness: 0.8mm, 1.0mm, 1.2mm, 1.5mm		
59351-½	3-½"	1-½"
1⅞" Deep with Conduit KO's Thickness: 0.8mm, 1.0mm, 1.2mm, 1.5mm		
59361-½	3-½"	1-½"
59361-¾	2-¾"	1-¾"
59361-½ & ¾	2-½"	1-¾"
59361-½ & ¾	2-½"	1-¾"
2⅞" Deep with Conduit KO's Thickness: 1.2mm, 1.5mm		
59371-½	3-½"	1-½"
59371-¾	2-¾"	1-¾"
59371-½ & ¾	2-½"	1-¾"
59371-1	2-1"	1-1"

SCAN



COMPANY PROFILE



# CONTACT US



[www.AL-qatar.com](http://www.AL-qatar.com)  
[info@AL-qatar.com](mailto:info@AL-qatar.com)



+974 44419827  
+974 66141726  
+974 55073385



*Birkat Al-Awamer, Doha-Qatar*  
*PO Box: 10367*